


Silicon Rubber Pushers / Fluororubber Pushers

■ **Features:** Silicon Rubber Pushers: Pushers which are superior to Urethane Rubber Pushers in heat / chemical resistance. Fluororubber Pushers: Pushers which are made of fluorine with excellent chemical resistance.

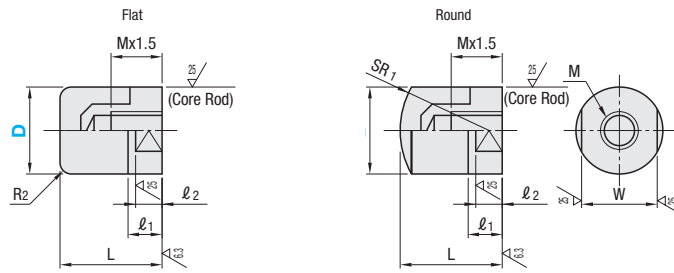
■ **Tapped Type**



Type		Hardness	Material	Color	Material Core Rod
Flat	Round				
SLLM	SLSM	Shore A70	Silicon Rubber	Gray	SUS304
PSHPT	RSHT	Shore A80	Fluororubber (FPM)	Black	

▽ (25 / 6.3)


⚠ For properties of urethane rubber and fluororubber, see P.390.



Part Number Type	D	L	MxPitch	SR1	R2	l1	l2	W	Unit Price	
									SLLM SLSM	PSHPT RSHT
Flat Round SLLM SLSM PSHPT RSHT	8	12	M3x0.5	8	1	5	4	7		
	10	15	M4x0.7	10						
	12	16	M5x0.8	12	2	6	5	14		
	16	20	M6x1.0	16						
	20	25	M8x1.25	20	3	10	8	17		-
	25	30	M10x1.5	25						
	25A	30	M10x1.25	25						
	30	35	M12x1.75	30				27		-

⚠ Urethane rubber and fluororubber are thermally bonded to a core rod.

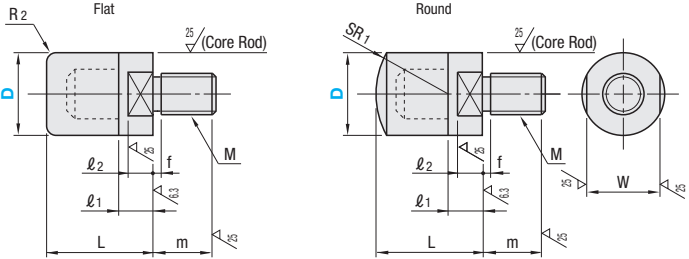
■ **Threaded Type**



Type		Hardness	Material	Color	Material Core Rod
Flat	Round				
SSLM	SSSM	Shore A70	Silicon Rubber	Gray	SUS304
PSHMPT	RSHMPT	Shore A80	Fluororubber (FPM)	Black	

▽ (25 / 6.3)

⚠ For properties of urethane rubber and fluororubber, see P.390.



Part Number Type	D	L	MxPitch	SR1	R2	m	l1	l2	f	W	Unit Price	
											SSLM SSSM	PSHMPT RSHMPT
Flat Round SSLM SSSM PSHMPT RSHMPT	6	10	M3x0.5	6	1	4.5	5	4	1	5		
	8	12	M4x0.7	8								
	10	15	M5x0.8	10	2	10	1.5	10				
	12	16	M6x1.0	12								
	16	20	M8x1.25	16	3	14	8	6	2	17		-
	20	25	M10x1.5	20								

⚠ Urethane rubber and fluororubber are thermally bonded to a core rod.

Ordering Example **Part Number**
PSHT8



■ **Shore Hardness for Rubber Pushers for reference**

⚠ Allowable Hardness Range: Listed values ±5

Shore A95	Golf Ball	Hard ↕ Soft
Shore A90	Hard Ball	
Shore A70	Soft Ball	
Shore A50	Plastic Eraser	
Shore A30	Bicycle Tire Tubes	

⚠ Following is the comparison table for ASKER C and Shore A.

Durometer A (Shore A)	10	20	30	40	50	60	70	80	90
ASKER C	20	30	40	50	60	70	80	90	
SRIS 0101 Type C	1	1	1	1	1	1	1	1	1

