


Tube Clips / Tube Cutter

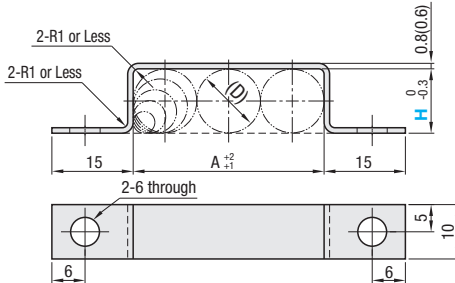
Tube Clips



RoHS10

Type	Material	Surface Treatment
CUCLP	SPCC	Trivalent Chromate
CUCLPS	SUS304D	-


Dimensions in () are for CUCLPS.



Part Number		Number of Tubes	A	Applicable Tube O.D. (D)	Unit Price	
Type	H				CUCLP	CUCLPS
CUCLP CUCLPS	4	2-10	4x pcs.	4		
	6		6x pcs.	6		
	8		8x pcs.	8		
	10		10x pcs.	10		
	12		12x pcs.	12		


 Ordering Example **Part Number**
CUCLP4

Soft Tube Inserts



RoHS10

Type	Material	Surface Treatment
PUIT	C2700T	Electroless Nickel Plating
PACK-PUSIT	SUS304	-



Part Number		Applicable Tube I.D. (mm)	D	d	D1	L	PUIT		PACK-PUSIT	
Type	Applicable Tube O.D. (mm)						Unit Price	Volume Discount Rate	Unit Price	Volume Discount Rate
PUIT PACK-PUSIT	4	2.5	2.5	2.1	2.8	18	1 ~ 9 pc(s).	10-30	1 ~ 2 pack(s)	3-10
	6	4	4.0	3.6	4.5	18.5				
	8	5	5.0	4.6	5.5	20				
	10	6.5	6.5	6.1	7.0	22				

 Ordering Example **Part Number**
PUIT4


10 pcs. per pack for PACK-PUSIT.

Features

- Prevents shrinkage of tube from inside.
- Insert this into the connecting part of soft tubes.

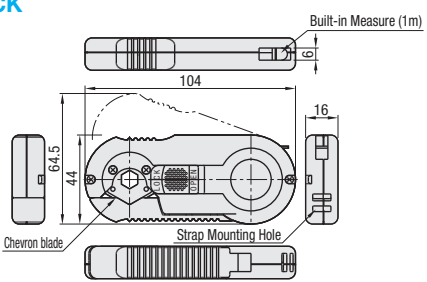
Tube Cutter **Tube Cutter Replacement Blade**

TCK **TCKE**



RoHS10

TCK



Part Number	Unit Price
Type	1 ~ 20 pc(s).
TCK	

Part Number	Quantity	Unit Price
Type		1 ~ 10 pc(s)
TCKE	10 pcs. / set	

Features

- New edges can be used by turning the chevron blade 180 degrees.
- The tube can be cut at a desired length using the built-in measure.
- The tube cutter can be safely stored using the lock mechanism.

 Ordering Example **Part Number**
TCK