

# Lids for Open-Top Tanks / Gaskets for Sealing Lids / Stands for Open-Top Tanks

## Outlet Config. Selectable

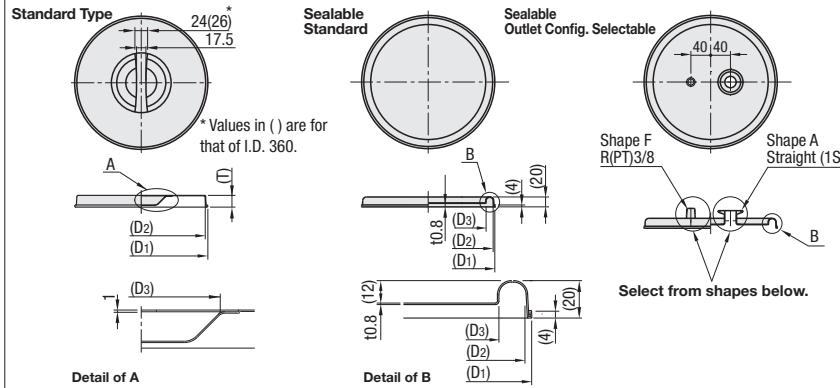
■ Features: Upper column mid column: Tank components can be ordered from one unit. Shape of the inlet on Lids for Sealable Tanks are selectable. Lower column: Detachable tank holder.

### Lids for Open-Top Tanks



RoHS10

Standard Type	Type		Material	Normal Operating Pressure
	Standard	Sealable		
TANCV	TANCV	TANCVS	SUS304	Atmospheric Pressure



**Sanitary Inlet Shapes**

**A Shape: Straight (1S)**

**D Shape: R (PT) 1/8**

**E Shape: R (PT) 1/4**

**Female Thread Inlet Shapes**

**F Shape: R (PT) 3/8**

### Lids for Standard Open-Top Tanks

Part Number	Type	Tank I.D. (D)	(D1)	(D2)	(D3)	(T)	Unit Price
							Qty. 1 ~ 3
TANCV	180	207	197	92	22	25	
	210	236	226				
	240	267	257				
	270	296	286				
	300	330	320				
	360	390	360				109

### Lids for Sealable Open-Top Tanks

Part Number	Type	Tank I.D. (D)	Inlet Shape TANCVS only	(D1)	(D2)	(D3)	Unit Price 1 ~ 3 pc(s).	
							TANCVM	Body Price
Standard TANCVM Outlet Config. Selectable TANCVS	180	A D E F	206	198	175			
	210		234	227	202			
	240		269	262	234			
	270		297	290	260			
	300		330	323	291			
	360		390	382	352			

⚠ When ordering Outlet Config. Selectable Sealable Open-Top Tanks, choose TANCVS, which is for liquid discharging under airtight condition.  
 ⚠ Price of TANCVS = Body Price + Shape Charge x2

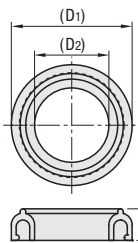
Ordering Example: Part Number - For Inlet Shape Selectable Type  
 TANCV180 - A - A  
 TANCVS210 - A - A

### Gasket



RoHS10

### TANSEL

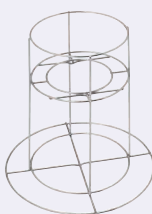


Material: Silicon Rubber

Part Number	Type	Tank I.D. (D)	(D1)	(D2)	(T)	Unit Price
						Qty. 1 ~ 3
Gasket TANSEL	180	195	177	13		
	210	226	205	16		
	240	260	235	17		
	270	288	266	17		
	300	321	296	17		
	360	380	358	16		

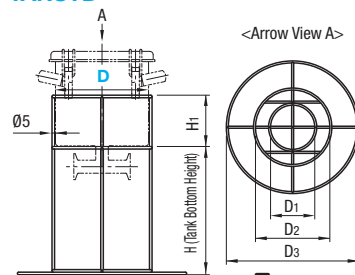
⚠ Feature of Silicon Rubber P.391 ⚠ Feature of Gaskets for Sealing Lids P.1356  
 ⚠ For orders larger than indicated quantity, please check with WOS.

### Stand



RoHS10

### TANSTD



Material: SUS304

Part Number	Type	Tank I.D. (D)	H	D1	D2	D3	H1	Unit Price			
								Qty. 1 ~ 3			
Stand TANSTD	180	250	120	195	330	100	100				
	210							150	225	350	120
	240							180	255	370	140

⚠ D1 fits any of the outlet configuration of Outlet Config. Selectable Type.  
 ⚠ Not available when installing level gauge.  
 ⚠ For orders larger than indicated quantity, please check with WOS.

Ordering Example: Part Number  
 TANSEL180  
 TANSTD210

EX Example

