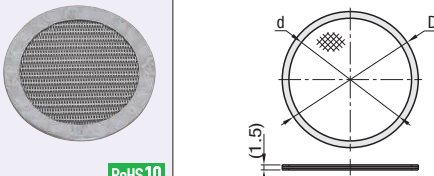


Sanitary Pipe Fittings / Sanitary Tube Strainers

Cover Caps Standard / L-Shaped

Cover Caps



Type SNGCN **Material** SUS316L

Gaskets for Cover Cap Mounting

Type SNGGS SNGGF **Material** Silicone PTFE

1S 1.5S, 2S

RoHS 10

Part Number	Mesh Roughness	D	d	Unit Price	Volume Discount Rate
Type	No.			Qty. 1 - 5	6 - 10
SNGCN	1S	40-100-200		29	23
	1.5S			40	35.7
	2S			53	47.8

As the mesh number is larger, mesh becomes finer. For orders larger than indicated quantity, please check with WOS.

Part Number	A	T	d	d1	Unit Price	Volume Discount Rate	Unit Price	Volume Discount Rate
Type	No.				Qty. 1 - 10	11 - 20	Qty. 1 - 10	11 - 20
SNGGS	50.5	5.5 (5)	30 (29.5)	43.5	41 (40.5)			
					54 (53.5)			
SNGGF	64							

Dimensions in () are for SNGGF. For orders larger than indicated quantity, please check with WOS.



Ordering Example Part Number - Mesh Roughness
SNGCN1S - 40

Features

- Plumbing without alteration to the ferrule is possible.
- Attachable to existing piping system.

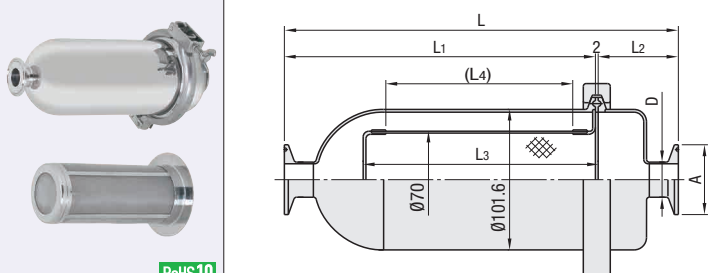
Ferrule needs to be altered. No ferrule needs to be altered.

Caution Fluid may come as it is sealed with metal. Be sure not to use at large flow area as it may cause damage on gasket.

SNGCN Mesh Roughness

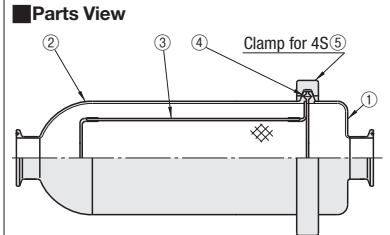
Roughness	Sieve Mesh Size	Weave	Filament Diameter	
			Vertical	Horizontal
40	0.415mm	Plain Weave	Ø0.22	Ø0.22
Roughness	Nominal Filtration Accuracy	Weave	Filament Diameter	
			Vertical	Horizontal
100	180µ	Plain Dutch Weave	Ø0.35	Ø0.28
200	75µ	Plain Dutch Weave	Ø0.18	Ø0.14

Tube Strainers - Standard



SNTSK (Set)
SNTSN (Filter only)

RoHS 10



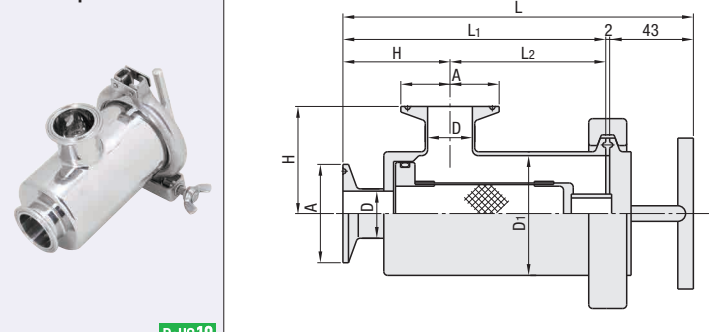
Part Number	Mesh Roughness	A	D	L	L1	L2	L3	(L4)	SNTSK Unit Price Qty. 1	SNTSN Unit Price Qty. 1
SNTSK	1S	50.5	25.4	285	225	58	170	138.5		
	1.5S	50.5	38.1	320	260	58	205	173.5		
	2S	64	50.8	350	290	58	235	203.5		

Parts and Materials

Part No.	Part Name	Material
①	Upper Lid	SUS304
②	Body Case	SUS304
③	Filter	SUS304
④	Gaskets	EPDM
⑤	Clamp	SUS304

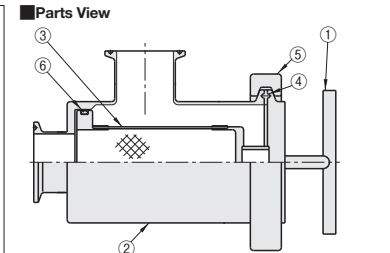
As the mesh number is larger, mesh becomes finer. For orders larger than indicated quantity, please check with WOS.

Tube Strainers - L-Shaped



SNTSL

RoHS 10



Parts and Materials

Part No.	Part Name	Material
①	Upper Lid	SUS304
②	Body Case	SUS304
③	Filter	SUS304
④	Gaskets	EPDM
⑤	Clamp	SUS304
⑥	O-Ring	EPDM

Part Number	Mesh Roughness	A	D	D1	L	L1	L2	H	Unit Price Qty. 1
SNTSL	1S	50.5	25.4	63.5	180	135	80	55	
	1.5S	50.5	38.1	76.3	190	145	75	70	
	2S	64	50.8	101.6	205	160	78	82	

As the mesh number is larger, mesh becomes finer. For orders larger than indicated quantity, please check with WOS.

Ordering Example Part Number - Mesh Roughness
SNTSK1S - 40
SNTSL2S - 100

SNTSN, SNTSK, SNTSL Mesh Roughness

Roughness	Sieve Mesh Size	Weave	Filament Diameter	
			Vertical	Horizontal
40	0.415mm	Plain Weave	Ø0.22	Ø0.22
80	0.198mm	Plain Weave	Ø0.14	Ø0.14
100	0.154mm	Plain Weave	Ø0.1	Ø0.1
200	0.077mm	Plain Weave	Ø0.05	Ø0.05