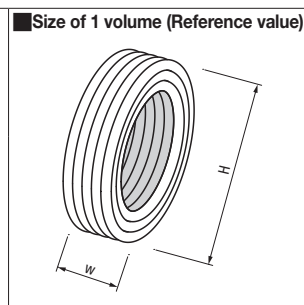
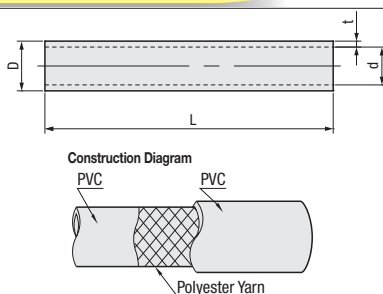
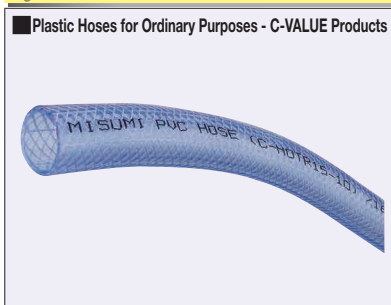


Points of comparison between similar products | Hose Thickness: 2.0 - 2.5mm, Length: Standardized short winding, RoHS non-compliant

For similar parts P.1315



Part Number		Hose Length (m)	d Inner Dia. (mm)	D Outer Dia. (mm)	t Thickness (mm)	Operating Temp. Range (°C)	Operating Pressure (MPa)	Mass kg/m	Size of 1 volume (Reference)			Unit Price
Type	Hose Nominal I.D.								H	W	Weight (kg)	
C-HOTR	9	20	9	13.0	2.0	0~60	0~0.8	0.09	260	100	1.8	
		100							470	180	9.0	
	12	20	12	16.5	2.3			0.13	340	120	2.6	
		100							590	210	13.0	
	15	10	16	19.5	1.8			0.12	340	100	1.2	
		50							590	180	6.0	
	19	10	19	22.8	1.9		0.16	340	110	1.6		
		50						540	210	8.0		
	25	10	25	29.8	2.4		0.27	450	120	2.7		
		50						720	220	13.5		

In some products, there is a slight deviation between the nominal I.D. and the I.D.



Ordering Example: Part Number - Hose Length
C-HOTR19 - 10

Features

When compared to similar parts, the economical aspect was mainly emphasized. Short length (10 ~ 20M) parts are stocked to facilitate purchasing. <Not RoHS Compliant>

Precautions for Use

Since the thickness is slightly less than that in similar parts, avoid using in places where there is a sharp bend or where there is a possibility that the part may get crushed.

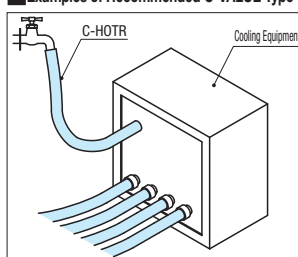
C-VALUE Products - Recommended applications

When pressure calculations are not required such as during supply to or drainage from cooling tanks.

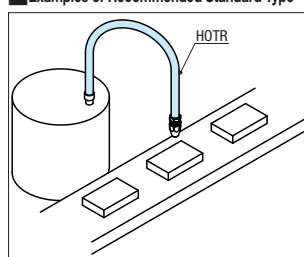
Similar Parts - Recommended applications

When a stable flow of a fluid at a calculated pressure is required, such as when a fixed amount of fluid flow is required.

Examples of Recommended C-VALUE Type



Examples of Recommended Standard Type



Example of Combination Product

Hose Nominal I.D.	Mounting Thread Size (PT)	Hose Fittings - Male Threaded Hose Nipple (P:1319)		Fluid Coupler (P:1421)		Hose Clamps (P:1322)	
		Brass	Stainless Steel	Plug (Brass)	Socket (Brass)	Applicable Hose: C-HOTR	Applicable Hose: HOTR
9	R 1/4	HOSN92	HOSNS92	QNPHC9	QNSHC9	HOSBS13N	HOSBS13N
	R 3/8	HOSN93	HOSNS93				
12	R 3/8	HOSN123	HOSNS123	QNPHC12	QNSHC12	HOSBS16N	HOSBS16N
	R 1/2	HOSN124	HOSNS124				
15	R 3/8	HOSN153	HOSNS153	-	-	HOSBS19N	HOSBS19N
	R 1/2	HOSN154	HOSNS154				
19	R 1/2	HOSN194	HOSNS194	QNPHC19	QNSHC19	HOSBS22N	HOSBS22N
	R 3/4	HOSN196	HOSNS196				
25	R 1	HOSN258	HOSNS258	QNPHC25	QNSHC25	HOSBS25N	HOSBS28N