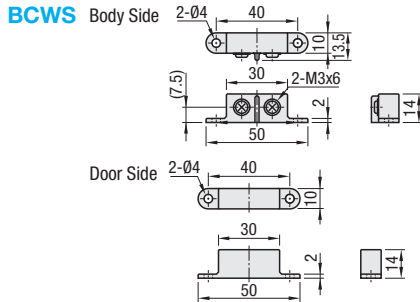


# Magnetic Catches with Sensors / Door Limit Switches

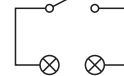
## Door Limit Switches



RoHS10



## Body Side Wiring Diagram



Terminal

## Performance

Detection Distance	As Shown Below
Max. Operating Voltage	DC100V
Max. Operating Current	0.5A
Max. Operating Power	10W
Contact Resistance	150mΩ
Withstand Voltage	DC200V 1min

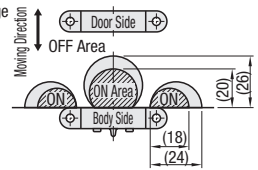
AC Unusable

<b>Part Name</b>	<b>Material</b>
<b>Main Body</b>	ABS
<b>Magnet</b>	Ferrite
<b>Terminal</b>	SUS304 Equivalent

Part Number	Mass (g)	Unit Price	Volume Discount Rate
Type No.		1 ~ 9 pc (s).	10~50
<b>BCWS</b>	<b>1</b>	19	



## Detection Range

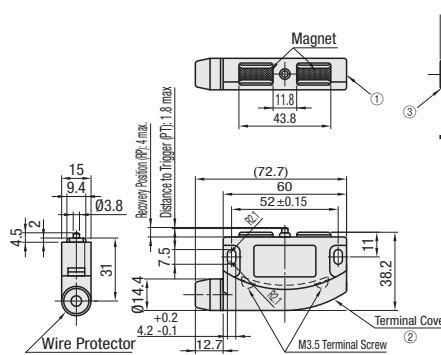


Ordering Example  
Part Number  
**BCWS1**

## Terminal Type



## MGST



## Operating Properties of Switch

Operating Force (OF) (N/gf)	3.43(350)max.
Returning Force (RF) (N/gf)	0.49(50)min.
ON Distance (PT)	1.8mm max.
Hysteresis Range (MD)	0.2~0.8mm
Returning Position (RP)	4.0mm max.

## Rating

	Resistive Load	Lamp Load	Inductive Load
AC125V	5A	1.5A	3A
AC250V	5A	-	3A
DC30V	5A	-	1.5A

Part Number	Operation	Retention Force (kgf)	Case Color	Mass (g)	Unit Price	Volume Discount Rate
Type No.					1 ~ 4 pc (s).	5~50
<b>MGST</b>	<b>1</b>	OFF when attracted	3	Gray	52	
	<b>2</b>	ON when attracted				

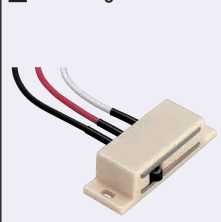


Ordering Example  
Part Number  
**MGST1**

## Performance Overview

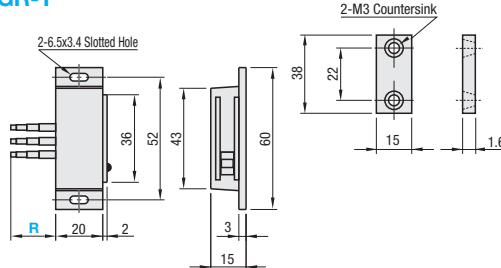
Electrical Performance	Insulation Resistance (Initial)	100MΩ or More (with 500VDC Insulation Resistance Meter)	Service Life	Mechanical Life	100,000 Times or More (Open-Close Frequency: 60 times/min.)	Operating Conditions	Operating Temperature	-20 ~ +80°C (No to be frozen in low temperature)
	Withstand Voltage	Between Contact Points: 1,000VAC/min. (Initial) Between Each Terminal and Non-charging Metal Part: 2,100VAC/min. Between Each Terminal and Ground: 2,100VAC/min.		Electrical Life	50,000 Times or More (Resistance Load 250VAC, 5A) 30,000 Times or More (Lamp Load 125VAC, 15A)		Open/Close Frequency:	20 times/min.
			Degree of Protection	IP40		Allowable Operating Frequency		Mechanical: 60 times/min., Electrical: 20 times/min.

## 3 Wire Magnetic Catches



RoHS10

## HMGR-T



When the main body and the plate are in contact, White-Red conducts.  
When the main body and the plate are separated, White-Black conducts.



Max. Contact Capacity  
AC250V, 3A  
DC125V, 0.4A

<b>Part Name</b>	<b>Material</b>	<b>Surface Treatment</b>
<b>Main Body</b>	Polyethylene	-
<b>Plate</b>	SPCC	Trivalent Chromate

Part Number	R	Retention Force (kgf)	Mass (g)	Unit Price	Volume Discount Rate
Type				1 ~ 9 pc (s).	10~100
<b>HMGR-T</b>	<b>150</b>	2	43		
	<b>2000</b>				



Ordering Example  
Part Number - R  
**HMGR-T - 150**

The default R dimension is 150 unless specified.