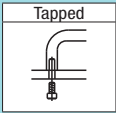
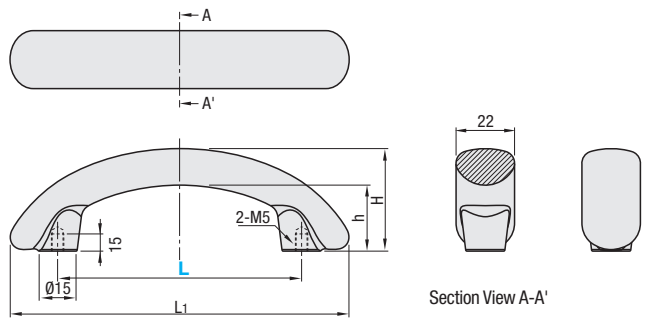


Arched Pull Handles / Phenol Pull Handles



UWSY

■ **Features:** Designed to be aesthetically pleasing and easy to grip.



■ **Material:** SUS304 Equivalent
 ■ **Surface Treatment:** Buffing

RoHS10

Part Number Type	L	L1	H	h	Allowable Load (N)	Mass (g)	Unit Price
	150	190	44	29	448		



Example

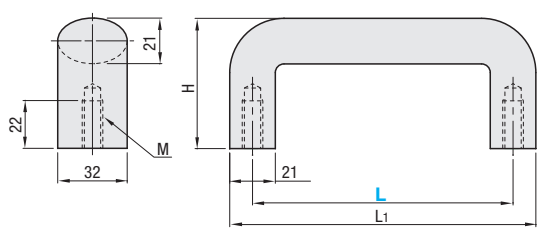


Ordering Example
Part Number
UWSY100

Back Side



UPCFN



	Material
Handle	Phenol Resin
Thread	Brass (Insert)

RoHS10

Part Number Type	L	L1	M	H	Mass (g)	Allowable Load (N)	Unit Price
	114	132	105	1100			
	120	142	8	60	140	700	
	140	162			155	600	
	160	182			170	600	
	180	202			200	500	
	200	222			210	470	



Ordering Example
Part Number
UPCFN114