

Tapered Revolving Handles / Revolving Handles with Hex Socket / Fold-Down Revolving Handles

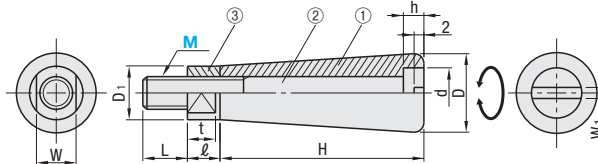
Tapered Revolving Handles



RoHS 10

Type	① Handle		② Screw		③ Nut	
	M	Material	M	Material	S	Surface Treatment
GRC	Nylon6 (Black)	SWRM	Trivalent Chromate	SUM24L	Chrome Plating	

⚠ Only the plastic grip rotates after attached to a handwheel.



How to Mount



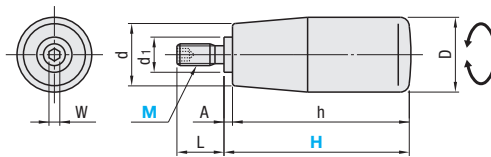
Part Number		D	D ₁	d	H	h	l	t	W	W ₁	L	Mass (g)	Unit Price
Type	M (Coarse)												
GRC	8	20	13	12	55	5.5	8	6.5	10	2	11	40	
	10	25	16	15	68		10	8	14		18	100	
	12	30	21	20	85	10	13	9.5	17	2.5	23	180	

Revolving Handles With Hex Socket

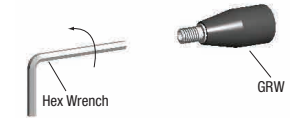


RoHS 10

Type	Handle		Screw	
	M	Material	M	Material
GRW	Phenol	SUM21	Trivalent Chromate	



How to Mount



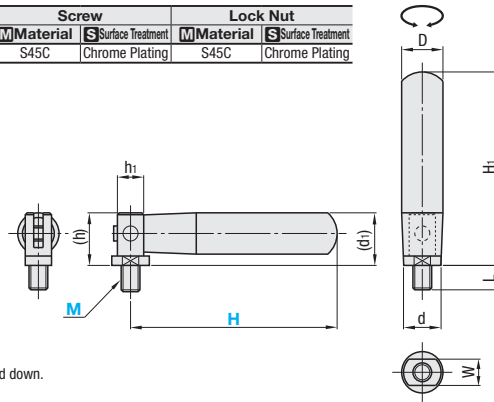
Part Number		D	d	d ₁	h	W	L	A	Mass (g)	Unit Price
Type	M (Coarse) - H									
GRW	6-28.5	14	11	8	28	3	10	0.5	13	
	6-42.5	18	15	10	40		12	2.5	29	
	6-52.5	21	17		50		13	2.5	42	
	8-40	20	17	10	39	4	12	1	24	
	8-55				54				44	
	10-67	23	20	12	66				74	
	10-75	23	20	12	74	5	16		77	

Fold-Down Revolving Handles



RoHS 10

Type	Handle		Screw		Lock Nut	
	M	Material	M	Material	M	Material
GRMBM	Nylon	S45C	Chrome Plating	S45C	Chrome Plating	



⚠ To fold the lever, pull up and fold down.
⚠ Folding angle is 90°.

Part Number		H	D	d	(h)	L	h ₁	H ₁	(d ₁)	W	Mass (g)	Unit Price
Type	M (Coarse)											
GRMBM	8	55	20	16	21	12.5	9	55	24	12	42	
		81	20	16	28	12.5	9	81	30		80	
	10	104	23	19	28	16	11	104	31	14	155	

Ordering Example	Part Number	-	H
	GRC8	-	40
	GRW8	-	55