


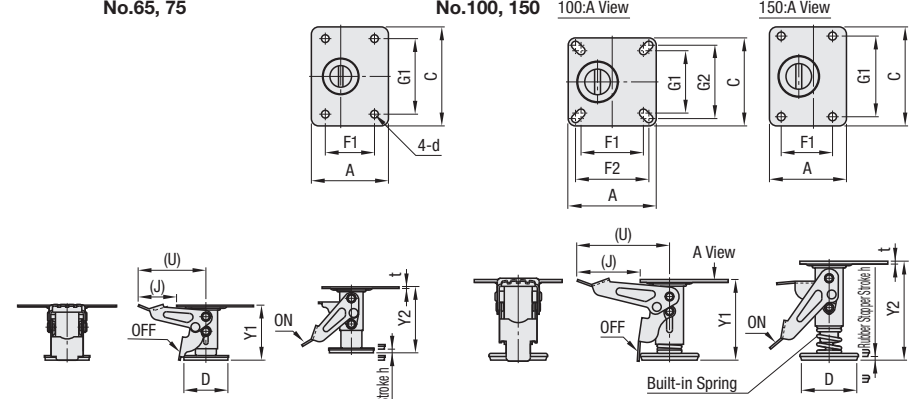
Floor Stoppers

Components used to temporarily stop carriages.

Push Force Selectable



No.65, 75 **No.100, 150**



M Material: Main Body: SPHC, Built-in Spring: SWP-A
S Surface Treatment: Trivalent Chromate


P Select either medium or heavy gripping force by referring to the push force of Built-in Spring.
Q Shipped with the identification sticker attached to the main body. L H

Part Number Type	No.	Push Force Selectable	Mounting Height	Stroke			D	Mounting Plate Dimensions								t	h	(U)	(J)	Push Force N		Mass (kg)	Unit Price	
				Y1 (min)	Y1 (max)	Y2 (max)		A	C	F1	F2	G1	G2	d	L (Medium)					H (Heavy)	L		H	
FLOCK	65	L (Push Force: Medium) H (Push Force: Heavy)	85	75	90	60	105	135	67	-	103	-	10.5	2.3	5	93	53	200	200	0.7				
	75		90	80	95		120	120	85	100	85	100	-	11	4	10	127			87	0.8			
	100		130	115	135		105	135	70	-	110	-	-	-	-	-	-			-	-	1.2		
	150		160	145	165		105	135	70	-	110	-	-	-	-	-	-			-	-	1.3		

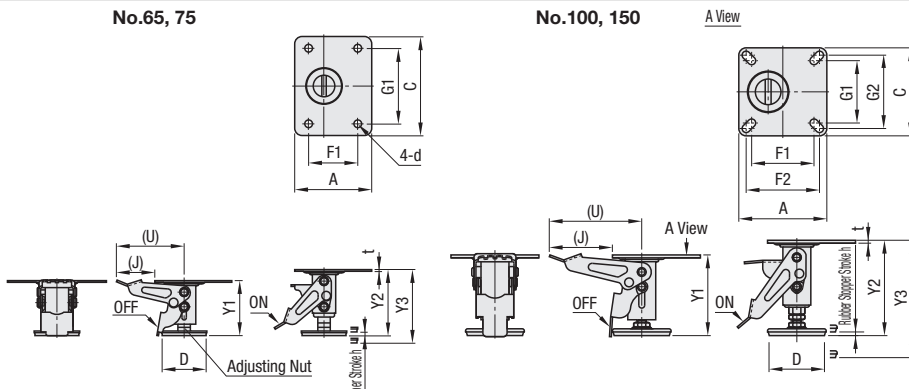
P Push force will be H (heavy) when not specified.

Ordering Example: Part Number - Push Force
FLOCK100 - **L**

Height-Adjustable Type



No.65, 75 **No.100, 150**



P MISUMI Patent M Material: Main Body: SPHC, Built-in Spring: SWP-A
Q Rotating adjusting nut enables adjustment of the distance from the floor by positioning pad in vertical direction. S Surface Treatment: Baked Finish (Main Body: Black / OFF Pedal: Yellow)

Part Number Type	No.	Mounting Height		Stroke				D	Mounting Plate Dimensions								t	h	(U)	(J)	Push Force N	Mass (kg)	Unit Price		
		min	max	Released Y1 (min)	Released Y1 (max)	Locked (Adjustment Range) Y2 (min)	Locked (Adjustment Range) Y3 (max)		A	C	F1	F2	G1	G2	d	L (Medium)							H (Heavy)	L	H
FLOCKZ	65	85	90	75	80	90	95	60	105	135	67	-	103	-	10.5	2.3	5	93	53	200	0.7				
	75	90	101	80	91	95	106		120	120	85	100	85	100	11	4	10	127	87			0.8			
	100	130	140	115	125	135	145		105	135	70	-	110	-	-	-	-	-	-			-	1.2		
	150	160	195	145	180	165	200		105	135	70	-	110	-	-	-	-	-	-			-	1.3		

Ordering Example: Part Number
FLOCKZ75

Features

- For FLOCK, push force by spring tension can be selected.
- FLOCKZ has the industry's first height-adjuster, and allows mounting height adjustments within certain ranges.

Caution

- This product alone is not designed to lift carriages and support object.
- For movable loads, please refer to the allowable load of casters.

