
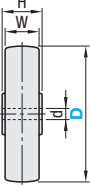
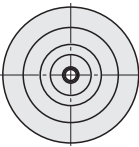


Replacement Wheels for Casters



GYUL





Material: Rubber (Black)
Integrated Bearing: None

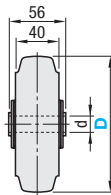
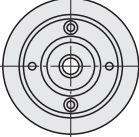
Part Number		d	H	W	Allowable Load (N)	Mass (g)	Unit Price
Type	D						1 ~ 50 pcs.
GYUL	25	4.7	14	12	80	7	
	32	5.2	16	14	120	23	
	38	6.2	20	17	200	28	
	40	6.2	21	17	200	29	
	50	6.2	24	20	300	54	

Ordering Example **Part Number**
GYUL38

For orders larger than indicated quantity, please check with WOS.




GYUW

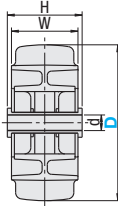
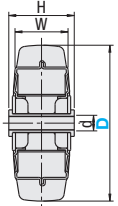
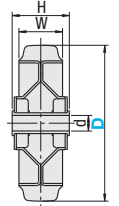
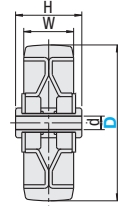
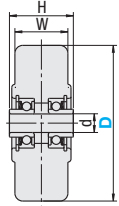
Material: Rubber
Integrated Bearing: Incorporated

Part Number		d	Allowable Load (N)	Mass (g)	Unit Price
Type	D				
GYUW	130	12	1800	571	
	150		2000	749	
	150A	20	2000	890	

Ordering Example **Part Number**
GYUW150A



RMNA75 (Rubber Wheel) **RMNA100** (Rubber Wheel) **RMNA130 / 150 / 200** (Rubber Wheel) **RNTB** (Urethane Wheel) **RVA** (Monomer Casting Nylon Wheel)

Material (Color): Synthetic Rubber (Black) With Bearing **Material (Color):** Urethane Rubber (Blue) With Bearing **Material (Color):** Monomer Cast Nylon (Blue) With Bearing

Part Number		d	H	W	Allowable Load (N)	Mass (g)	Applicable Caster	Unit Price	
Type	D								
RMNA (Rubber)	75	10	36	32	800	200	CMGJ CMGK CMGS (P.1071)		
	100	12	42	32	1200	410			
	130	52	38	1800	750				
	150	20	55	42	2000	1000			
	200	45	2500	1750					
RNTB (Urethane)	75	10	35	32	1200	290			
	100	12	42	32	1700	590			
	130	52	38	2600	960				
	150	20	55	42	3000	1280			
RVA (Monomer Casting Nylon)	75*	10	35.6	32	3600	200			
	100	12	41	34	5200	480			
	130	52	42	8400	790				
	150	20	55	44	10000	1060			

Ordering Example **Part Number**
RNTB130

Monomer Casting Nylon
In comparison with conventional nylon etc., it is superior in molecular weight and crystallinity. Also, it excels in mechanical properties, friction and chemical resistance.

* Not compatible with screw-in type casters (CMGN and CMGNS).
*: Only for RVA 75, collars (2 pcs.) are included with the shaft part.