


Similar Product Comparison Point

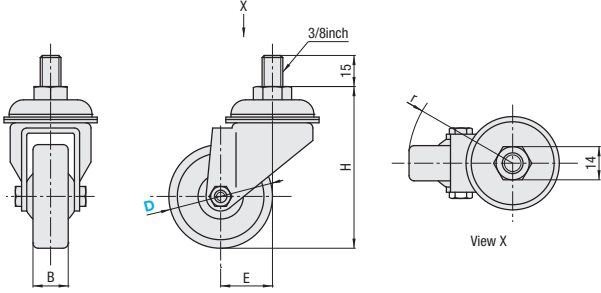
RoHS: Not Compliant, Standard for Running Test: Internal Standard Based on GB (for details, see P.1063)

Similar Products Page P.1081

**Swivel**




Type	Main Body		Wheel	Bearing	
	M Material	S Surface Treatment	M Material (Color)	Swiveling Part	Wheel
C-CTKJ	SPCC	Zinc Plating	Rubber (Gray)	Incorporated	None

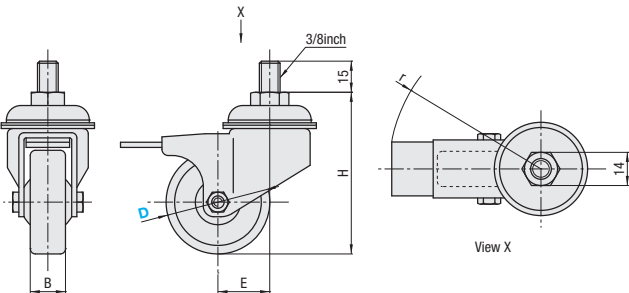


Part Number		Wheel Material	H	B	E	r	Allowable Load (N)	Mass (g)	Unit Price
Type	D								
C-CTKJ	50	R (Rubber)	78	18	26	51	400	187	
	65		93	21	32	64.5	450	280	
	75		103	32	69.5	500	320		

**Swivel with Stopper**



Type	Main Body		Wheel	Bearing	
	M Material	S Surface Treatment	M Material (Color)	Swiveling Part	Wheel
C-CTKS	SPCC	Zinc Plating	Synthetic Rubber (Gray)	Incorporated	None



Part Number		Wheel Material	H	B	E	r	Allowable Load (N)	Mass (g)	Unit Price
Type	D								
C-CTKS	50	R (Rubber)	78	18	26	73.5	400	216	
	65		93	21	32	85	450	330	
	75		103	500	415				



Ordering Example

Part Number - Wheel Material

C-CTKJ50 - R