


Similar Product Comparison Point |

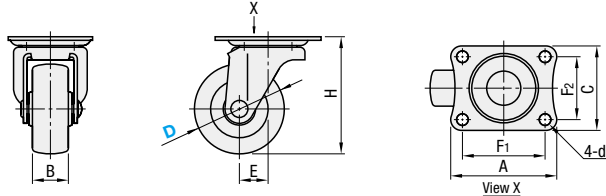
RoHS: Not Compliant, Standard for Running Test: Internal Standard Based on GB (for details, see P.1063)

Similar Products Page P.1065

Swivel




Type	Main Body		Roller	Bearing	
	Material	Surface Treatment	Material (Color)	Swiveling Part	Wheel
CNROJ	SPHC	Trivalent Bright Chromate Plating	Urethane (Black)	Incorporated	None

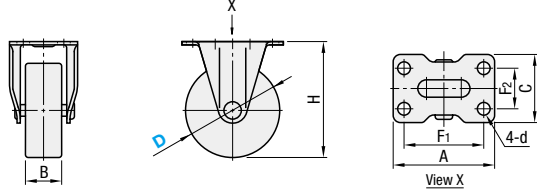


Part Number		Wheel Material	H	A	C	F1	F2	d	B	E	Allowable Load (N)	Weight (g)	Unit Price
Type	D												
CNROJ	38	U (Polyurethane)	50	46	38	36	28	5.1	17	17	200	90	
	50		65	59	47	46	35	6.1	22	21	300	180	
	75		93	70	58	55	42	8.1	27	27	500	340	

Fixed




Type	Main Body		Roller	Bearing	
	Material	Surface Treatment	Material (Color)	Swiveling Part	Wheel
CNROK	SPHC	Trivalent Bright Chromate Plating	Urethane (Black)	None	None

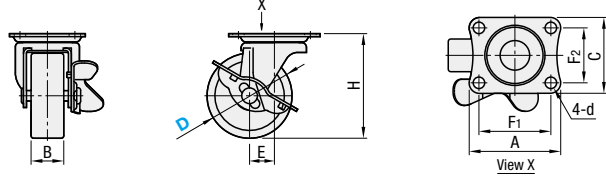


Part Number		Wheel Material	H	A	C	F1	F2	d	B	E	Allowable Load (N)	Weight (g)	Unit Price
Type	D												
CNROK	38	U (Polyurethane)	50	46	25	36	15	5.1	17	17	200	50	
	50		65	58	40	45	25	6.1	22	22	300	120	
	75		93	70	47	55	28	8.1	27	27	500	210	

Swivel with Stopper



Type	Main Body		Roller	Bearing	
	Material	Surface Treatment	Material (Color)	Swiveling Part	Wheel
CNROS	SPHC	Trivalent Bright Chromate Plating	Urethane (Black)	Incorporated	None



Part Number		Wheel Material	H	A	C	F1	F2	d	B	E	Allowable Load (N)	Weight (g)	Unit Price
Type	D												
CNROS	38	U (Polyurethane)	50	46	38	36	28	5.1	17	17	200	100	
	50		65	59	47	46	35	6.1	22	21	300	200	
	75		93	70	58	55	42	8.1	27	27	500	350	

Ordering Example: **Part Number** CNROJ75 - **Wheel Material** U