

# LED Line Lights

Milky White Cover / Transparent Cover / Black Cabinetry

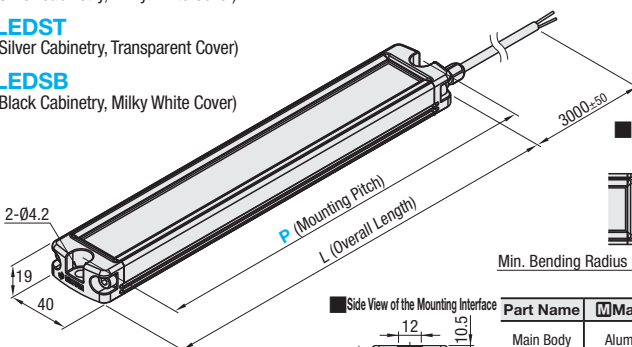
IP65



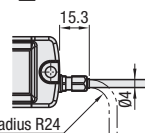
**LEDS**  
(Silver Cabinetry, Milky White Cover)

**LEDST**  
(Silver Cabinetry, Transparent Cover)

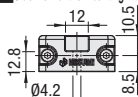
**LEDSB**  
(Black Cabinetry, Milky White Cover)



**■ Cable Detail**



**■ Side View of the Mounting Interface**



Part Name	Material	Surface Treatment
Main Body	Aluminum	Anodized, Black Anodized (LEDSB only)
Surface Cover	Polycarbonate	Milky White Cover : Mist Surface Treatment Transparent Cover : Not Treated
Screw on Both Ends	SUS304	-
Cable	PVC	-
Gasket	Silicon (White)	-

☞ For AC Adapter, ON / OFF Switch and Angle Adjusting Bracket, see P.1054.  
☞ Dimming not possible. For Dimming Types, see P.1025.

Part Number	Color	L	Illuminance (Lux, lx)		Fluorescent lamp illumination comparison (Reference)	Input Voltage (V)	Input Current (mA)	Power Consumption (W)	Temperature Range (°C)	Color Temperature (Kelvin, K)	Beam Angle	Mass (g)	LEDS (White)		LEDS (Yellow)		LEDST		LEDSB		
			lx/0.5m	lx/1m									Unit Price (1-4 pcs)	Volume Discount Rate (5-9)	Unit Price (10-50)	Volume Discount Rate (5-9)	Unit Price (10-50)	Volume Discount Rate (1-4 pcs)	Unit Price (5-9)	Volume Discount Rate (10-50)	Unit Price (1-4 pcs)
<b>LEDS</b> (Silver Cabinetry, Milky White Cover)	W (White)	190	White 490(620)	White 120(150)	10W~	White 225 Yellow 230	White 5.4 Yellow 5.5	-10 45	White 5000 Yellow 2000	Approx. 110°	310										
		350	White 750(900) Yellow 340	White 210(250) Yellow 130	20W~	White 450 Yellow 460	White 10.8 Yellow 11					460									
<b>LEDST</b> (Silver Cabinetry, Transparent Cover)	W (White) Y (Yellow)	665	White 1180(1410) Yellow 580	White 360(450) Yellow 220	DC24 ±10%	White 900 Yellow 940	White 21.6 Yellow 22.5				820										
		980	White 1320(1560) Yellow 640	White 400(480) Yellow 240		White 1350 Yellow 1400	White 32.4 Yellow 33.6					1180									
<b>LEDSB</b> (Black Cabinetry, Milky White Cover)	Y (Yellow)	1295*	White 1480 Yellow 910	White 440 Yellow 260	40W~	White 1800 Yellow 1880	White 43.2 Yellow 45.1				1540										
		1610*	White 1560 Yellow 950	White 480 Yellow 280		White 2250 Yellow 2340	White 54 Yellow 56.2					1900									

☞ LEDST and LEDSB are not available for products marked with \*.  
☞ For each detail, see the glossary on P.1055. ☞ For order and installation, confirm "Notes on Usage" section on P.1056.  
☞ As the LED elements vary on their luminous colors and luminance, they may be slightly different in their colors and brightness, though they are of the same part numbers.

**Ordering Example**

Part Number - Color  
LEDS980 - W  
LEDS350 - Y

**Example**

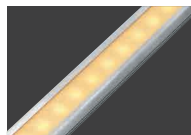
- Milky White Cover (LEDS, LEDSB)
- Transparent Cover (LEDST)
- Yellow light emission



To reduce the eyestrain of the operators, Flicker-prevention Cover is offered.



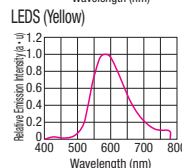
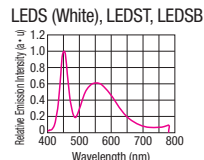
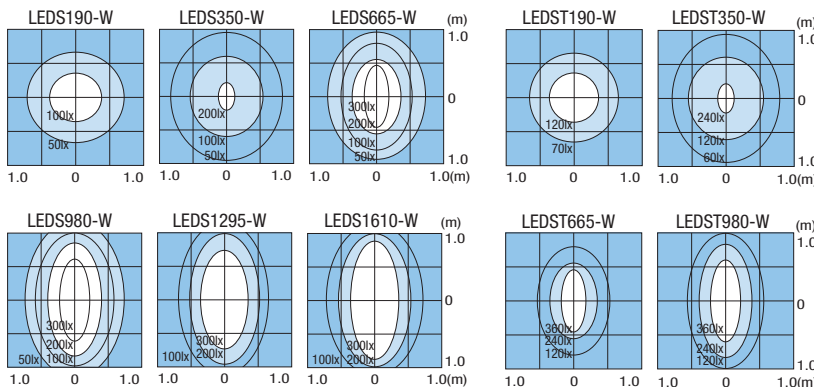
Provides higher illumination by over 15% than Milky White Cover.



• The Yellow Type LED does not include wavelengths less than 500 nm. It is ideal for environments in which light sensitive materials are used.  
• As it does not contain wavelengths that insects prefer (500 nm or less), it is also effective for places where flying insects are unwanted.

**■ Illuminance Data (Reference) \* Only for installation height 1.0 m**

**■ Light Emission Spectrum**



For LEDS Yellow Light Illuminance Data, see P.1055.

☞ The illuminance of LEDSB (Black Cabinetry) is the same as for LEDS.