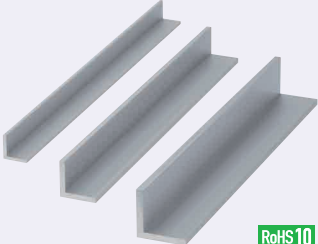
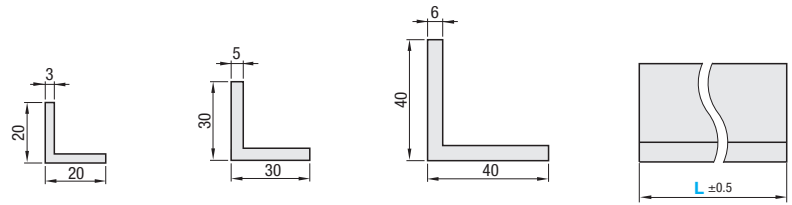


Aluminum Extrusions for Brackets

For Thin Brackets




HFLBS5 **HFLBS6** **HFLBS8**



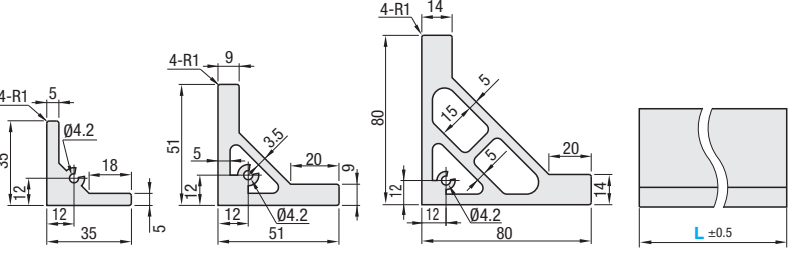
M Material: A6N01SS-T5 **S** Surface Treatment: Anodize

Part Number Type	L 1mm Increment	Mass kg/m	Sectional Area mm ²	Cross Sectional Moment of Inertia mm ⁴		Unit Price (Less than 300mm)	Unit Price/m (300mm or More)
				ℓ _x	ℓ _y		
HFLBS5	50~3000	0.3	111	0.4x10 ⁴	0.4x10 ⁴		
HFLBS6		0.75	275	2.2x10 ⁴	2.2x10 ⁴		
HFLBS8		1.2	444	6.4x10 ⁴	6.4x10 ⁴		

For Thick Brackets



NFLBT5
HFLBT5 **NFLBT6**
HFLBT6 **NFLBT8**
HFLBT8




Type	Material	Surface Treatment
HFLBT	A6N01SS-T5 Equivalent	Clear Anodize
NFLBT	A6063SS-T5	Clear Anodize

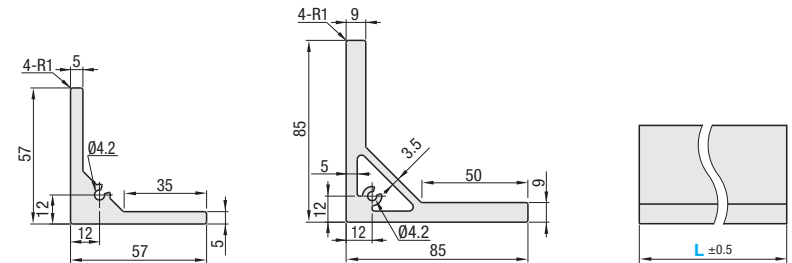
Part Number Type	No.	L 1mm Increment	Mass kg/m	Sectional Area mm ²	Cross Sectional Moment of Inertia mm ⁴		Unit Price (Less than 300mm)	Unit Price/m (300mm or More)
					ℓ _x	ℓ _y		
HFLBT	5	50~3000	1.13	420	3.70x10 ⁴	3.70x10 ⁴		
	6		2.3	850	19.06x10 ⁴	19.06x10 ⁴		
	8		5.3	1961	109.9x10 ⁴	109.9x10 ⁴		
NFLBT	5		1.13	420	3.70x10 ⁴	3.70x10 ⁴		
	6		2.3	850	19.06x10 ⁴	19.06x10 ⁴		
	8		5.3	1961	109.9x10 ⁴	109.9x10 ⁴		

⊕ HFLBT6 is the base material component for HBLTS6 (P.588) and HBLTS8 (P.646).

For Thick Brackets



HFLBTW5 **HFLBTW6**



M Material: A6N01SS-T5 Equivalent **S** Surface Treatment: Anodize

Part Number Type	L 1mm Increment	Mass kg/m	Sectional Area mm ²	Cross Sectional Moment of Inertia mm ⁴		Unit Price (Less than 300mm)	Unit Price/m (300mm or More)
				ℓ _x	ℓ _y		
HFLBTW5	50~3000	1.9	700	17.4x10 ⁴	17.4x10 ⁴		
HFLBTW6		4.0	1491	100.0x10 ⁴	100.0x10 ⁴		

Ordering Example: Part Number - L
HFLBT5 - 800

When L<300mm
Unit prices are indicated in the table
regardless of the length.
When L≥300mm
Prices are calculated as follows:
Unit Price/m x Specified O.A.L. = Sales Price