


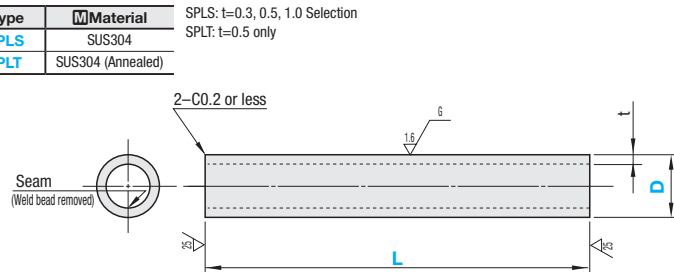
# Thin-Walled Ground Stainless Steel Hollow Tubes / Thin-Walled Ground Stainless Steel Hollow Tubes

## Precision I.D. / O.D.



RoHS 10

Type	Material	SPLS: t=0.3, 0.5, 1.0 Selection
SPLS	SUS304	SPLT: t=0.5 only
SPLT	SUS304 (Annealed)	



**L Dimension Tolerance**

or More	or Less	Tolerance
10	30	±0.2
31	120	±0.3
121	400	±0.5
401	1000	±0.8

**D Dimension Tolerance**

or More	or Less	Tolerance
2	12	0 -0.05
15	30	0 -0.1

Part Number			L 1mm increment	Unit Price							
Type	D			L10~50	L51~100	L101~200	L201~400	L401~600	L601~800	L801~1000	
	t=0.5	t=0.3	t=1.0								
SPLS	2	2A	-								
	3	3A	-								
	4	4A	4B								
	5	5A	5B								
	6	6A	6B								
	8	8A	8B								
	SPLT	10		10B	10~1000						
		12									
		15									
		16									
	20										
	25										
	30										

(For SPLT, t=0.5 only.)

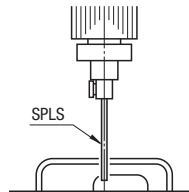


**Ordering Example**

Part Number	-	L
SPLS2A	-	500
SPLT4	-	500



**Example**




[Product Applications]  
 Roll Shafts for Photocopiers  
 Antenna  
 For heating  
 For plumbing  
 Injection Nozzle  
 Ornamental Piping, etc.

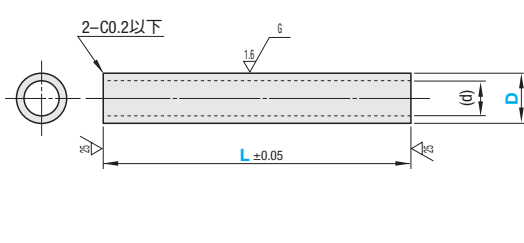
SPLS is a Straight Type and can be used for injecting or other purposes. Annealed material (180 to 220HV) is adopted so that SPLT can be bent to fit the above applications.

**Precision I.D./O.D.**

SPLN



RoHS 10



**D and d Dimension Tolerance**

D	(d)
0.5~2.0	±0.01
2.5~5.0	±0.02

Material: SUS304

Part Number		L 1mm increment	(d)	Unit Price		
Type	D			L10~50	L51~100	L101~200
SPLN	0.5	10~200	0.34			
	1		0.7			
	1.5		1.1			
	2		1.6			
	2.5		2.1			
	3		2.6			
	3.5		3.1			
	4		3.6			
	4.5		4.1			
	5		4.6			



**Ordering Example**

Part Number	-	L
SPLN2	-	100