


Super Compact Strut Clamps / Strut Clamps

Equal / Unequal Dia., Perpendicular Configuration with Wing Knobs Equal Dia., Perpendicular Configuration with Clamp Levers

■ **Features:** Affordable and compact Strut Clamps. Easy setup changes with wing knobs.

■ **Equal / Unequal Dia., Perpendicular Configuration with Wing Knobs**

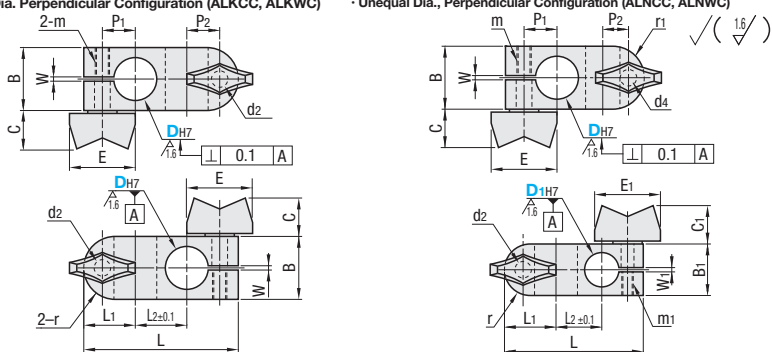


RoHS10

Type	Material	Surface Treatment	Accessory
Equal Dia. ALKCC	A6061	Black Anodize	Wing Knob (Black)
Unequal Dia. ALNCC		Clear Anodize	Wing Knob (White)
Equal Dia. ALKWC			Wing Knob (Black)
Unequal Dia. ALNWC			Wing Knob (White)

* Head of Wing Knob: Nylon 66
Thread Section: SWRM-10
Trivalent Chromate

• Equal Dia., Perpendicular Configuration (ALKCC, ALKWC) • Unequal Dia., Perpendicular Configuration (ALNCC, ALNWC)



■ **Equal Dia., Perpendicular Configuration with Wing Knobs**

Part Number	Type	DH7	B	L	L1	L2	r	P1	P2	d2	m	W	Wing Knob		Unit Price
													E	C	
ALKCC ALKWC	6	+0.012 0	10	29	10.5	8	5	6.5	6.5	3.5	M3	1	18	10.5	ALKCC, ALKWC
	8	+0.015 0	12	32	11	10	6	7	7						
	10	0	16	39	13.5	12	8	8.5	8.5	4.5	M4	1.5			
	12	+0.018 0	18	43	14	15	9	9	9						
15	0	22	54	18	18	11	11.5	11.5	5.5	M5		28	15		

■ **Unequal Dia., Perpendicular Configuration with Wing Knobs**


Part Number	Type	DH7	D1H7	B	B1	L	L1	L2	r	r1	P1	P2	d4	m	W	Wing Knob		m1	W1	Wing Knob		Unit Price	
																E	C			E1	C1		
ALNCC ALNWC	8	+0.015 0	6	+0.012 0	12	10	31.5	11	10	5	6	7	6.5	3.5	M3	1	18	10.5	M3	1	18	10.5	ALNCC, ALNWC
	10	+0.015 0	6	+0.012 0	16	12	37	12	6	8	8.5	7	4.5	M4	1.5	18	10.5	M4	1	18	10.5		
	10	0	8	+0.015 0			36.5	13.5	12				3.5					M3					
	12	+0.018 0	8	+0.015 0	18	14	40	14	14	7	9	9	7.5	4.5	M4	1.5	18	10.5	M4	1	18	10.5	
	12	0	10	0			39.5						3.5					M3	1.5				
	15	+0.018 0	10	+0.015 0	22	18	49	18	16	9	11	11.5	9	5.5	M5	1.5	28	15	M5	1.5	28	15	
15	0	12	+0.018 0			48.5						4.5					M4						

⚠ The tolerance and perpendicularity of DH7 and D1H7 are the tolerances before slitting.
⚠ For mating, g6, f8 shaft tolerances are recommended. ⚠ Do not tighten the wing nut unless the shaft is set in D part.

Ordering Example: **Part Number** - **D1**
ALKCC8 - 8
ALNCC10 - 8

■ **Features:** Easy setup changes, suitable for frequent changes.

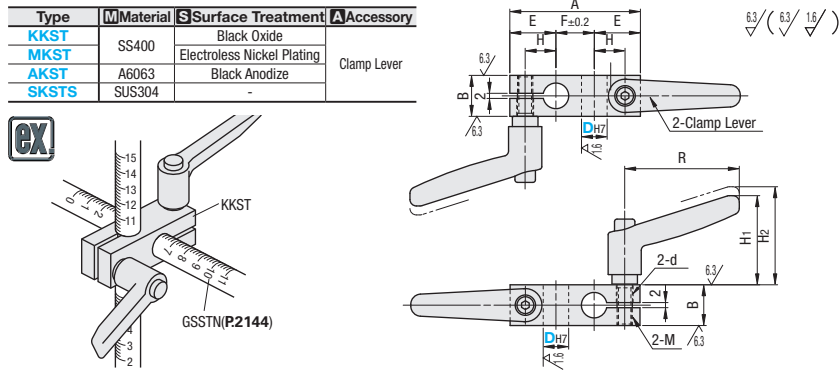
■ **Equal Dia., Perpendicular Configuration with Clamp Levers**



RoHS10

Type	Material	Surface Treatment	Accessory
KKST	SS400	Black Oxide	Clamp Lever
MKST		Electroless Nickel Plating	
AKST	A6063	Black Anodize	
SKSTS	SUS304	-	

ex



Part Number	Type	DH7	A	B	E	F	H	M	d	R	H1	H2	Clamp Lever	Unit Price			
														KKST	MKST	AKST	SKSTS
KKST MKST AKST (D≤30) SKSTS (D≤30)	10	+0.015 0	51	16	18	15	12	M6	6.6	45	35	38.5	CLDM 6-16-M				
	12	+0.018 0	54	19	18	18							CLDM 6-20-M				
	15	0	69	22	24	21	16	M8	9	63	45.5	49	CLDM 8-20-M				
	20		78	28	26	26	19						CLDM 8-25-M				
	25	+0.021 0	97	36	32	33	23	M10	11	78	55	59	CLDM 10-32-M				
	30		105	40	34	37	25						CLDM 10-40-M				
35	+0.025 0	121	45	39	43	29	M12	13	92	67	71	CLDM 12-40-M					

⚠ Available D Dimension for AKST and SKSTS is up to 30. ⚠ The tolerance and perpendicularity of Dh7 are before slitting. ⚠ For mating, g6, f8 shaft tolerances are recommended.

Ordering Example: **Part Number**
KKST20
SKSTS15