


Positioning Switches

Spring Plunger/Ball Plunger

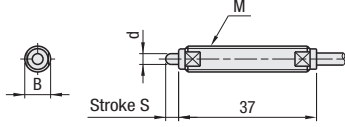
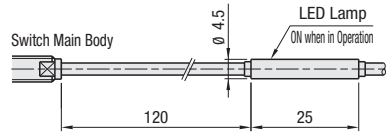
For Mechanical / Electrical Specifications and Precautions for Use, P2095

Spring Plunger (IP40)

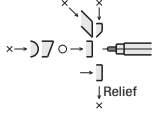


RoHS 10

**MSPSS
N-MSPSS-D (With LED)**

Force must be applied normal to the switch. (Declination within $\pm 3^\circ$)




•Use within the contact ratings.
•Do not pull or twist the cable with 30N or more.

Pin	Main Body	Cable	Accessory
M Material	H Hardness	M Material	A Accessory
SUS440C	50~55HRC	SUS303	Hex Nut 2 pcs. (Coarse Thread JIS Class 3) Toothed Washer 1 pc.

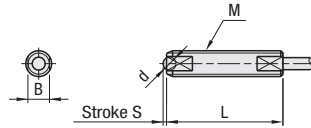
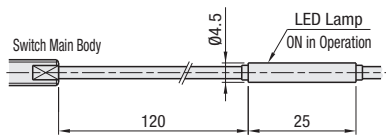
Part Number	M (Coarse)	d	Stroke S	Operating Point	Contact Force N		Contact Logic	B	MSPSS		N-MSPSS-D	
					min.	max.			Unit Price	Volume Discount Rate	Unit Price	Volume Discount Rate
MSPSS N-MSPSS-D	6	2.5	3	0.8 from Body End (Repeatability 0.01)	6	11	NO (Normally Open)	5	1 ~ 9 pc(s).	10~20	1 ~ 9 pc(s).	10~20
	8				6	11						

Ball Plunger (IP40)




RoHS 10

**MSPB
N-MSPB-D (With LED)**

Care must be taken for the object not to hit the switch body before hitting the operating point.

Possible to contact objects in all directions.



•Use within the contact ratings.
•Do not pull or twist the cable with 30N or more.

Ball	Main Body	Cable	Accessory
M Material	H Hardness	M Material	A Accessory
SUS440C	50~55HRC	SUS303	Hex Nut 2 pcs. (Coarse Thread JIS Class 3) Toothed Washer 1 pc.

Part Number	M (Coarse)	Stroke S	Operating Point	Repeatability	Contact Force N		Contact Logic	L	d	B	MSPB		N-MSPB-D	
					min.	max.					Unit Price	Volume Discount Rate	Unit Price	Volume Discount Rate
MSPB N-MSPB-D	6	0.8	0.3	0.01	6	13	NO (Normally Open)	32	3	5	1 ~ 9 pc(s).	10~20	1 ~ 9 pc(s).	10~20
	6F				1									

Ordering Example

Part Number	MSPSS6
	MSPB6
	N-MSPB-D6F