


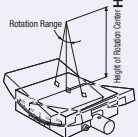
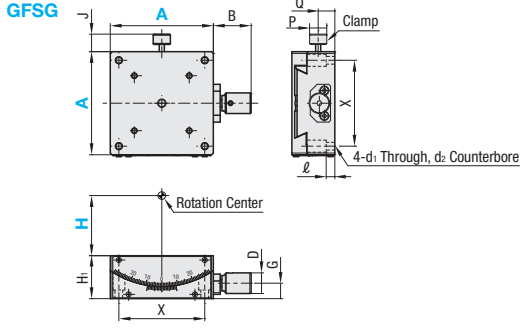
Points on Similar Product Comparison | Height Tolerance of Rotation Center: ± 1.0 Similar Product Pages P.1986

Features: Circular arc motion stages with arc centers located on central perpendicular line above the stage tops are offered with higher accuracy and at lower price than existing products.

1-Axis



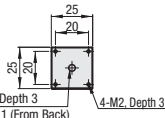
The height of Rotation Center is as shown below.

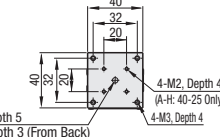



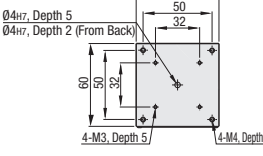
M Material (Main Body): Aluminum Alloy, Material (Shaft): Low Cadmium Brass
S Surface Treatment (Main Body): Black Anodize

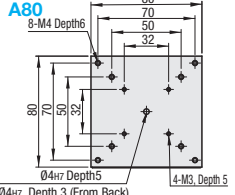
RoHS 10

Table Mounting Hole Dimensions

A25  $\varnothing 4H7$, Depth 3 (From Back) 4-M2, Depth 3

A40  $\varnothing 4H7$, Depth 5 (From Back) 4-M2, Depth 4 (A-H: 40-25 Only) 4-M3, Depth 4

A60  $\varnothing 4H7$, Depth 5 (From Back) 4-M3, Depth 5 4-M4, Depth 6

A80  8-M4, Depth 6 (From Back) $\varnothing 4H7$, Depth 5 4-M3, Depth 5

1-Axis

Part Number Type	Top View						Front View						Side View			
	A-H	B	J	H ₁	D	G	P	Q	X	l	d ₁	d ₂				
GFSG	25- 20	16	5.3	15	9	5.5	6	6.1	20	3	2.1	4.2				
	25- 35	16	5.3	15	9	5.95	6	6.6	20	3	2.1	4.2				
	40- 25	16	6.5	15	9	4.8	8	5.3	32	2	3.5	6				
	40- 40	20	6.5	20	12	8.55	8	9.1	32	5	3.5	6				
	40- 60	20	6.5	20	12	8.55	8	9.1	32	5	3.5	6				
	60- 35	22	10.2	25	12	9	10	9.7	50	3	4.5	8				
	60- 60	22	10.2	20	12	7	10	7.7	50	3	4.5	8				
	60- 80	22	10.2	20	12	7	10	7.7	50	3	4.5	8				
	80-100	26	10.2	30	15	11	10	12.2	70	7	4.5	8				
	80-130	26	10.2	30	15	11	10	12.2	70	7	4.5	8				

Performance

Part Number Type	Stage Surface (mm)	Height of Rotation Center H (mm)	Travel Distance	Travel per Rotation Travel Distance	Load Capacity (N)	Weight (kg)	Unit Price
GFSG	25x25	20 \pm 1.0	$\pm 15^\circ$	$\approx 2.0^\circ$	19.6	0.04	
		35 \pm 1.0	$\pm 10^\circ$	$\approx 1.3^\circ$			
	40x40	25 \pm 1.0	$\pm 20^\circ$	$\approx 2.8^\circ$	29.4	0.08	
		40 \pm 1.0	$\pm 15^\circ$	$\approx 1.9^\circ$			
		60 \pm 1.0	$\pm 10^\circ$	$\approx 1.3^\circ$			
		35 \pm 1.0	$\pm 25^\circ$	$\approx 1.9^\circ$			
	60x60	60 \pm 1.0	$\pm 20^\circ$	$\approx 1.3^\circ$	58.8	0.22	
		80 \pm 1.0	$\pm 15^\circ$	$\approx 1.0^\circ$			
		100 \pm 1.0	$\pm 18^\circ$	$\approx 1.3^\circ$			
		130 \pm 1.0	$\pm 15^\circ$	$\approx 1.0^\circ$			
80x80	49	0.56					
	49	0.54					

Resolution (Vernier Scale Indication): 0.1 μ division
 Please note that, when the stage is moved in a travel distance higher than the predetermined value, the top plate may come off.

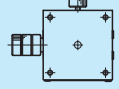
2-Axis: Combination Table

Stage Surface (mm)	Height of Rotation Center H (mm)	Combination of Part Numbers
25x25	20 \pm 1.0	GFSG25-20
		GFSG25-35
		GFSG40-25
40x40	25 \pm 1.0	GFSG40-40
	40 \pm 1.0	GFSG40-40
		GFSG40-60
60x60	35 \pm 1.0	GFSG60-35
	60 \pm 1.0	GFSG60-60
		GFSG60-60
80x80	100 \pm 1.0	GFSG80-100
		GFSG80-130

Ordering Example **Part Number**
GFSG40-25

Alterations **Part Number** - (NR)
GFSG40-25 - NR

Alteration Feed Knob Position Change
 Side Mount - Right/Left Reversed

Spec. 

Code NR

See the CAD data for details.