

Points on Similar Product Comparison | Travel Accuracy Straightness 50µm

Similar Product Pages P.1962

Features: Z-Axis Stages with fine feeding of 0.5mm lead.

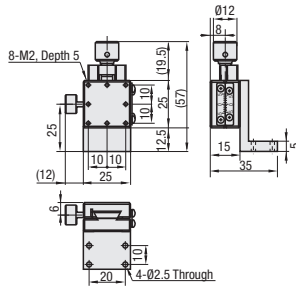
Z-Axis



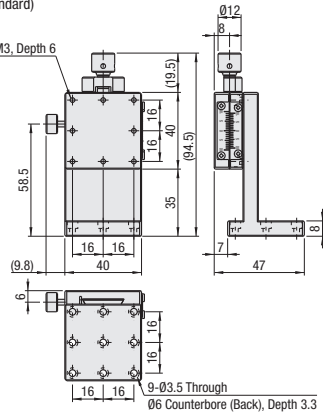
X-Axis P.1896
XY-Axis P.1931

RoHS10

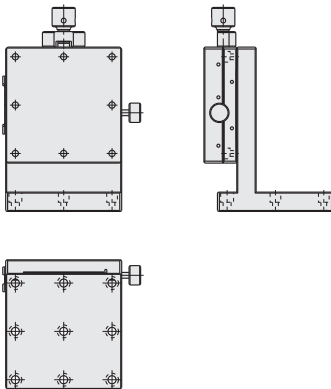
ZFES25
(Standard)



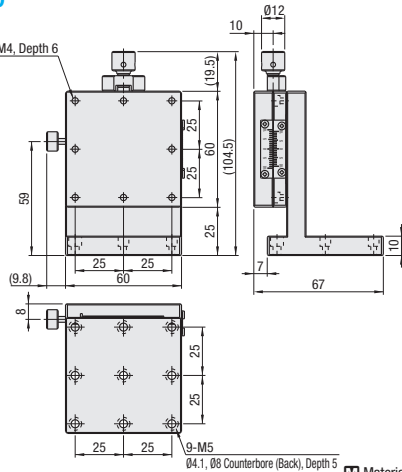
ZFES40
(Standard)



Clamp Position Change
ZFES□-R
(Reversed)



ZFES60
(Standard)



Material: Aluminum Alloy
Surface Treatment: Black Anodize

See the CAD data for details.

Z-Axis Stages High Precision Stage Existing Product: ZEG (P.1962)

Type	Part Number	Clamp Position	Stage Surface (mm)	Travel Distance (mm)	Travel per Rotation (mm)	Load Capacity (N)	Travel Accuracy Straightness	Weight (kg)	Unit Price
ZFES	25	No Symbol (Standard)	25x25	±5	0.5	9.8	50µm	0.06	
	40	R (Right/Left Reversed)	40x40	±7				0.18	
	60		60x60	±8				0.40	

Resolution (Vernier Scale Indication): 0.1mm/division

Extension Cover HDEXT12-□ (sold separately): Ø12 knobs can be extended by installing the cover. P.2004

(Caution) Please note that increased knob diameter may interfere with the stage mounting base surfaces.



Ordering Example

Part Number
ZFES40

Tips: Mounting Hole on the Bottom of the Table of XFES, XYFES and ZFES60
Can be mounted from the top and the bottom.

Mounting Hole Enlarged View	□25 (XFES/XYFES)		□40 (XFES/XYFES)		□60 (XFES/XYFES)		ZFES60	
	① Mount from Top	② Mount from Bottom	① Mount from Top	② Mount from Bottom	① Mount from Top	② Mount from Bottom	① Mount from Top	② Mount from Bottom
Mounting Screw Dia.	① M2	② M2.5	① M3	② M4	① M4	② M5	① M4	② M5