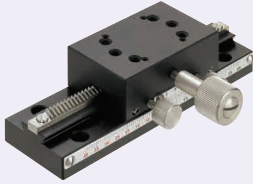


Points on Similar Product Comparison | Travel Accuracy Straightness 50~60µm

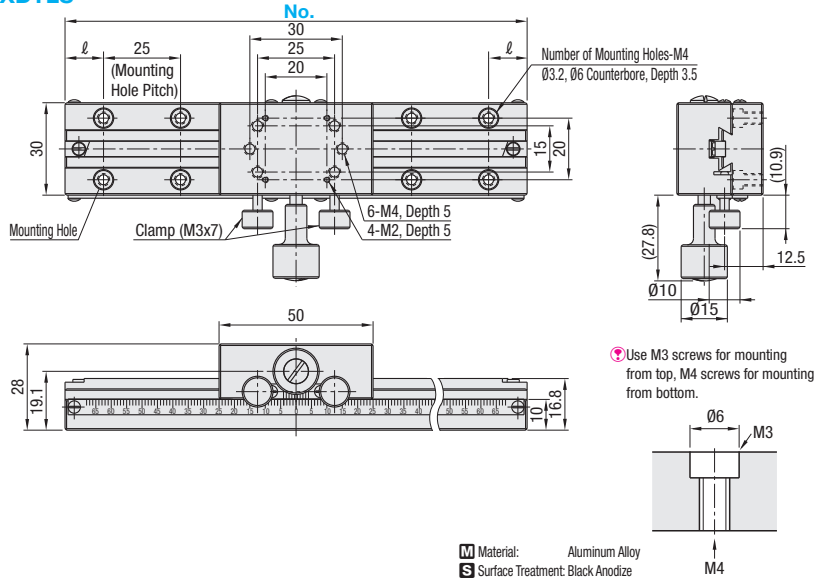
Similar Product Pages P.1908, 1956

Features: Economically priced long stroke Rack & Pinion stages.

X-Axis, Long



XDTLS



Z-Axis P.1955

RoHS10

X-Axis Stages High Precision Stage Existing Product: XLWG (P.1908)

Part Number Type	No.	Stage Surface (mm)	Travel Distance (mm)	Travel per Rotation (mm)	Number of Mounting Holes (Qty.)	ℓ	Load Capacity (N)		Travel Accuracy Straightness	Weight (kg)	Unit Price
							Horizontal	Vertical			
XDTLS	80	30x50	±30	16.7	6	15	29.4	14.7	50µm	0.15	
	100		±40		8	12.5					
	150		±65		12	60µm			0.23		
	200		±90		16	0.30					

Resolution (Vernier Scale Indication): 0.1 mm/division

For orders larger than indicated quantity, please request a quotation.

Knob Cover HDCVR15 (Sold Separately): Ø15 knobs can be increased in diameter by installing the cover. P.2004



Ordering Example

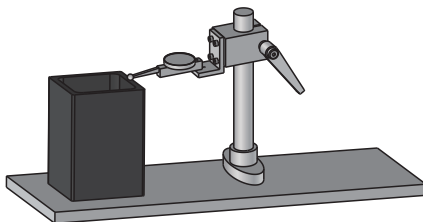
Part Number

XDTLS100

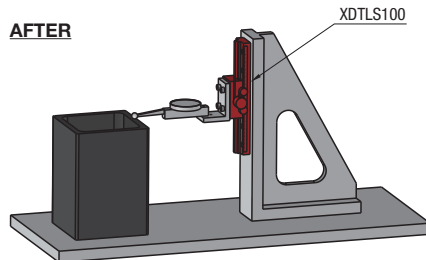


Example Parallelism Inspection Unit

BEFORE



AFTER



Increased Adjustment Accuracy: Fine adjustment of the dial indicator tip can be achieved quantitatively, not with experience.  
Improved Safety: Installing a dial indicator onto the stage prevents from falling.