

Toggle Clamps

Hold Down, Vertical Handle, Long Arm (Flange Base)

1N=0.101972kgf

Hold Down, Vertical Handle, Long Arm (Flange Base)



(Clamped)

Part Number	MC04-1L
Body Material	SS400
Surface Treatment	Trivalent Chromate
Tightening Force (N)	186
Weight (g)	75
Arm Open-Close Angle	104°
Handle Open-Close Angle	62°
Accessory	Bolt with Rubber Material: NBR Hardness: Shore A70
Unit Price	

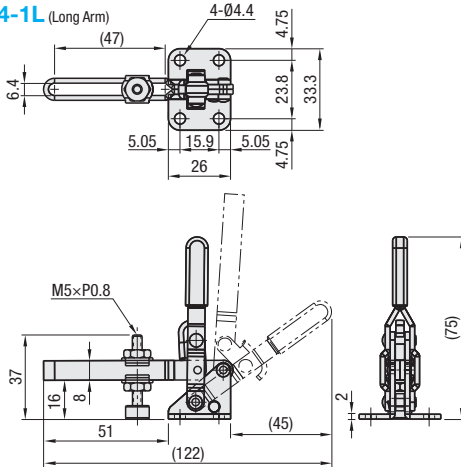
Hold Down, Vertical Handle, Long Arm (Flange Base)



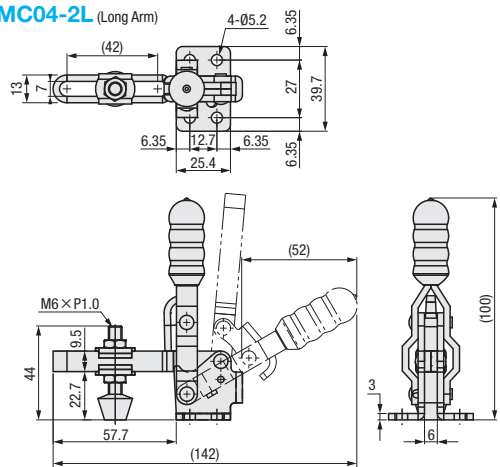
(Clamped)

Part Number	MC04-2L
Body Material	SS400
Surface Treatment	Trivalent Chromate
Tightening Force (N)	392
Weight (g)	175
Arm Open-Close Angle	98°
Handle Open-Close Angle	62°
Accessory	Bolt with Rubber Material: NBR Hardness: Shore A70
Unit Price	

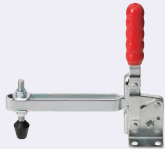
MC04-1L (Long Arm)



MC04-2L (Long Arm)



Hold Down, Vertical Handle, Long Arm (Flange Base)



(Clamped)

Part Number	MC04-3L
Body Material	SS400
Surface Treatment	Trivalent Chromate
Tightening Force (N)	784
Weight (g)	370
Arm Open-Close Angle	105°
Handle Open-Close Angle	59°
Accessory	Bolt with Rubber Material: NBR Hardness: Shore A70
Unit Price	

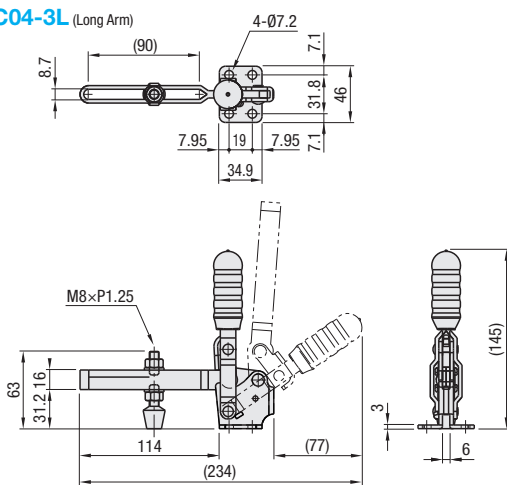
Hold Down, Vertical Handle, Long Arm (Flange Base)



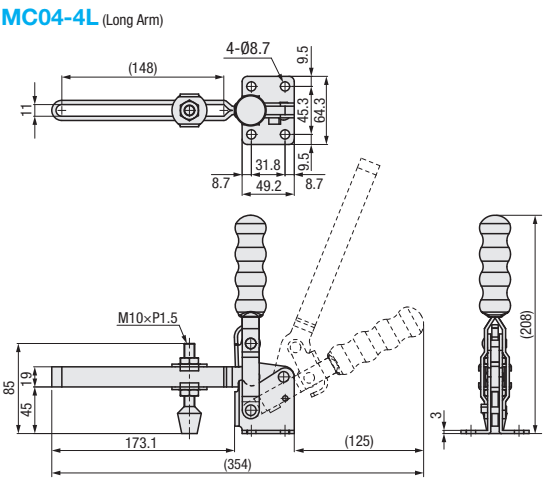
(Clamped)

Part Number	MC04-4L
Body Material	SS400
Surface Treatment	Trivalent Chromate
Tightening Force (N)	1078
Weight (g)	815
Arm Open-Close Angle	118°
Handle Open-Close Angle	73°
Accessory	Bolt with Rubber Material: NBR Hardness: Shore A70
Unit Price	

MC04-3L (Long Arm)



MC04-4L (Long Arm)



Ordering Example
Part Number
MC04-3L



Example
Combination of these app. examples can be selected on our website.
Selection Procedure Details **P8**

e-Catalog Search Keyword **#MA553**

* Enter the search keyword in the search box on e-Catalog. The search result will be shown in "Modular Assembler" area.

