


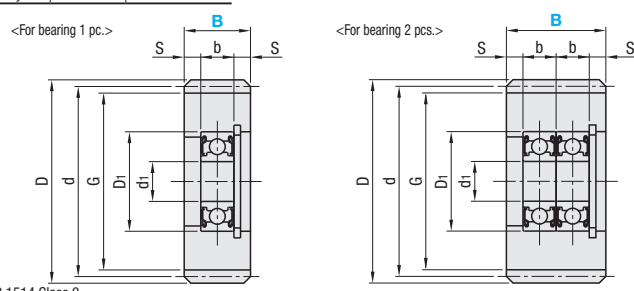
Spur Gears - Bearing Built-In

Pressure Angle 20°, Module 1.0, 1.5, 2.0

■ **Features:** Bearing built-in spur gears can be used for reversing rotations and synchronizing.



Type	Material		Surface Treatment
	Main Body	Bearing	
GEABD	S45C Equivalent	Steel	-
GEABDB			Black Oxide
GEABDG			Electroless Nickel Plating
GEABDM	MC Nylon	-	-



* Bearing Accuracy: JIS B 1514 Class 0
 ⚙ Bearings are press-fit. ⚙ For Shafting, refer to cantilever shafts. (P. 883 ~ 906)

Part Number Type	Number of Teeth	B	d ₁	d Reference Dia.	D Tip Dia.	G Root Dia.	GEABD, GEABDB, GEABDG			GEABDM			Unit Price					
							Bearing Number	D ₁	b	S	Bearing Number	D ₁	b	S	GEABD	GEABDB	GEABDG	GEABDM
GEABD GEABDB GEABDG GEABDM	1.0	12	5	20	22	17.5	695ZZx1	13	4	4	-	-	-	-	-	-	-	
			8	24	26	21.5	688ZZx1	16	5	3.5	-	-	-	-	-	-	-	
			8	25	27	22.5	698ZZx1	19	6	3	678ZZx1	12	3.5	4.25	-	-	-	-
			10	30	32	27.5	6900ZZx1	22	6	3	6700ZZx1	15	4	4	-	-	-	-
			10	35	37	32.5	6900ZZx1	22	6	3	6900ZZx1	22	6	3	-	-	-	-
			12	40	42	37.5	6901ZZx1	24	6	3	6901ZZx1	24	6	3	-	-	-	-
		12	48	50	45.5	6901ZZx1	24	6	3	6901ZZx1	24	6	3	-	-	-	-	
		12	50	52	47.5	6901ZZx1	24	6	3	6901ZZx1	24	6	3	-	-	-	-	
		12	60	62	57.5	6901ZZx1	24	6	3	6901ZZx1	24	6	3	-	-	-	-	
		15	20	22	17.5	695ZZx2	13	4	3.5	-	-	-	-	-	-	-	-	
		16	24	27	20.25	688ZZx1	16	5	5	-	-	-	-	-	-	-	-	
		20	30	33	26.25	6900ZZx1	22	6	4.5	6700ZZx2	15	4	3.5	-	-	-	-	
	24	36	39	32.25	6000ZZx1	26	8	3.5	6900ZZx1	22	6	4.5	-	-	-	-		
	25	10	37.5	40.5	33.75	6000ZZx1	26	8	3.5	6900ZZx1	22	6	4.5	-	-	-		
	26	10	39	42	35.25	6000ZZx1	26	8	3.5	6900ZZx1	22	6	4.5	-	-	-		
	28	12	42	45	38.25	6001ZZx1	28	8	3.5	6001ZZx1	28	8	3.5	-	-	-		
	30	12	45	48	41.25	6001ZZx1	28	8	3.5	6001ZZx1	28	8	3.5	-	-	-		
	40	12	60	63	56.25	6001ZZx1	28	8	3.5	6001ZZx1	28	8	3.5	-	-	-		
	48	15	72	75	68.25	6002ZZx1	32	9	3	6002ZZx1	32	9	3	-	-	-		
	50	15	75	78	71.25	6002ZZx1	32	9	3	6002ZZx1	32	9	3	-	-	-		
	60	15	90	93	86.25	6002ZZx1	32	9	3	6002ZZx1	32	9	3	-	-	-		
	15	8	30	34	25.5	698ZZx2	19	6	4	678ZZx2	12	3.5	6.5	-	-	-		
	20	10	40	44	35.5	6200ZZx1	30	9	5.5	6900ZZx2	22	6	4	-	-	-		
	24	12	48	52	43.5	6201ZZx1	32	10	5	6201ZZx1	32	10	5	-	-	-		
25	12	50	54	45.5	6201ZZx1	32	10	5	6201ZZx1	32	10	5	-	-	-			
30	15	60	64	55.5	6202ZZx1	35	11	4.5	6202ZZx1	35	11	4.5	-	-	-			
32	15	64	68	59.5	6202ZZx1	35	11	4.5	6202ZZx1	35	11	4.5	-	-	-			
36	15	72	76	67.5	6202ZZx1	35	11	4.5	6202ZZx1	35	11	4.5	-	-	-			
40	15	80	84	75.5	6202ZZx1	35	11	4.5	6202ZZx1	35	11	4.5	-	-	-			
48	20	96	100	91.5	6004ZZx1	42	12	4	6004ZZx1	42	12	4	-	-	-			
50	20	100	104	95.5	6004ZZx1	42	12	4	6004ZZx1	42	12	4	-	-	-			
60	25	120	124	115.5	6005ZZx1	47	12	4	6005ZZx1	47	12	4	-	-	-			

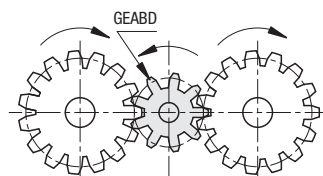


Ordering Example

Part Number - Number of Teeth - B
 GEABD1.0 - 20 - 12



Example



Insert the Bearing Built-in Gear between two gears to synchronize rotation direction.