


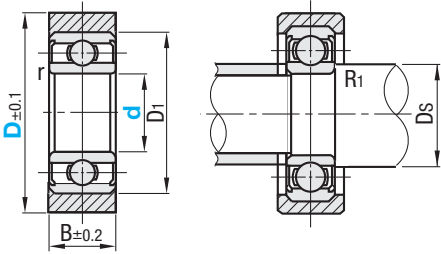
# Urethane Press-Fit Bearings

■ **Features:** Can be purchased at low price and quick delivery as compared to conventional Molded Bearings.



**RoHS 10**

**C-UMBB**

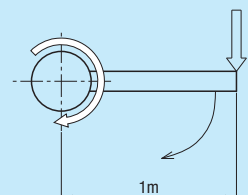
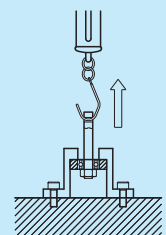


M Material: Polyurethane (Black)  
Bearing: Steel  
H Hardness: Shore A90

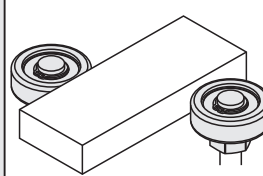
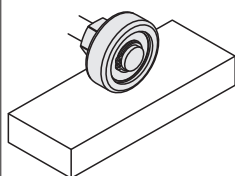
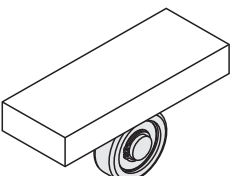
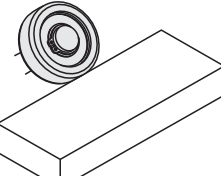
♥ For bearing detailed dimensions, see P.989.

Part Number		D	B	D1	r (min)	Relative Dimension		Bearing Used	Unit Price
Type	d					Ds (min)	R1 (max)		
<b>C-UMBB</b>	<b>4</b>	<b>13</b>	4	9	0.15	5	0.1	684ZZ	
	<b>5</b>	<b>16</b>	4*	13	0.2	6.6	0.2	695ZZ	
	<b>6</b>	<b>20</b>	5	15	0.2	7.6	0.2	696ZZ	

\*Note that B dimension is different in C-UMBB5-16, and UMBB5-16 that appears on P.1151. In UMBB5-16, B=5. Moreover in C-UMBB5-16, Urethane Molded Bearings Shafts included on P.1155 are also not available.

Item	Magnitude of the force to peel Urethane from bearing			
	Rotation direction		Cross direction	
Measurement Method				
Product Type	Press-fit Bearing	Molded Bearing	Press-fit Bearing	Molded Bearing
Size	4-13	4kgf · m or more	8kgf · m or more	No peeling at 20kgf
	5-16	4kgf · m or more	8kgf · m or more	
	6-20	4kgf · m or more	8kgf · m or more	

**ex!** Example

Application direction	Sideways	Top	Bottom	Slanting
				
Recommended Product	Press-fit Bearing	Press-fit Bearing	Lightweight: Press-Fit Bearings HeavyWeight: Molded Bearings	Molded Bearing

♥ Note that even if it is applied from top, side and bottom, if there is unbalanced load due to mounting accuracy or backlash of work, or when used in high rotation, Urethane of the Press-Fit Bearing may come off.

**Ordering Example**

**Part Number** - **D**  
**C-UMBB4** - **13**