
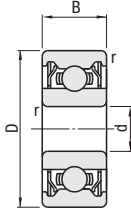


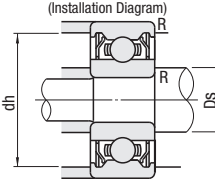
Low Dust Generation Grease Filled Ball Bearings



SBC6□□ZZ
SBC6□□□ZZ



(Installation Diagram)



Bearing Accuracy: JIS B 1514 Class 0

Inner and Outer Ring	Shield	Rolling Element	Retainer
M Material	H Hardness	M Material	M Material
SUS440C Equivalent	57-63HRC	SUS304	SUS440C
			*SUS304

* For SBC673, 674, 675 and 676, Retainer material is SUS304 or SUS420J2.

For details on the tolerance and allowable values of inner and outer rings, see P2243

Part Number	d	D	B	r (min)	Basic Load Rating		Allowable Rotational Speed rpm (Reference)	Relative Dimensions			Mass (g) (Reference)	Unit Price
					Cr (Dynamic) N	Cor (Static) N		Ds (min)	dh (max)	R (max)		
SBC673ZZ	3	6	2.5	0.08	177	59	71000	3.6	5.4	0.08	0.27	
SBC683ZZ		7	3	0.1	331	104	63000	3.9	5.8	0.1	0.45	
SBC693ZZ		8	4	0.15	476	144	60000	4.2	6.8	0.15	0.83	
SBC623ZZ		10			8.8	1.66						
SBC674ZZ	4	7	2.5	0.08	217	86	60000	4.6	6.4	0.08	0.29	
SBC684ZZ		9	4	0.15	544	179	53000	5	7.8	0.1	1.01	
SBC694ZZ		11			545	182	48000	5.2	9.8	0.15	1.75	
SBC624ZZ		13	5	0.2	1105	388	40000	5.6	11.4	0.2	3.04	
SBC675ZZ	5	8	2.5	0.08	185	72	53000	5.6	7	0.08	0.34	
SBC685ZZ		11	5	0.15	607	225	45000	6.2	9.8	0.15	1.96	
SBC695ZZ		13	4	0.2	915	344	43000	6.6	11.4	0.2	2.5	
SBC605ZZ		14			404	40000	12.4		3.48			
SBC625ZZ	6	16	5	0.3	1470	536	36000	7	14	0.3	4.86	
SBC676ZZ		10			3	0.1	421	174	45000	6.6	8.9	0.1
SBC686ZZ		13	5	0.15	918	352	40000	7	11.8	0.15	2.69	
SBC696ZZ		15			1139	418	40000	7.6	13.4	0.2	3.72	
SBC606ZZ	8	17	6	0.3	1921	668	38000	8	15	0.3	6.08	
SBC626ZZ		19			1986	708	32000		17		7.94	
SBC678ZZ		12	3.5	0.1	462	219	40000	8.8	10.9	0.1	0.97	
SBC688ZZ		16	5	0.2	1368	568	36000	9.6	14.4	0.2	4.02	
SBC698ZZ	8	19	6	0.3	1901	728	36000	10	17	0.3	7.18	
SBC608ZZ		22			7	2799	1103		34000		20	12
SBC628ZZ		24	8	2833	1138	28000	22	17				

Part Number	d	D	B	r (min)	Basic Load Rating		Allowable Rotational Speed rpm (Reference)	Relative Dimensions			Mass (g) (Reference)	Unit Price			
					Cr (Dynamic) Kn	Cor (Static) Kn		Ds		dh			R		
									(min)	(max)	(max)	(max)			
SBC6900ZZ	10	22	6	0.3	2.7	1.25	34000	12	12.5	20	0.3	10			
SBC6000ZZ		26	8		4.55	1.95	31000		13	24		19			
SBC6200ZZ		30	9		0.6	5.1	2.4		24000	15		26	0.6	32	
SBC6901ZZ	12	24	6	0.3	2.9	1.45	31000	14	14	22	0.3	11			
SBC6001ZZ		28	8		5.1	2.4	27000		15	26		22			
SBC6201ZZ		32	10		0.6	6.8	3.05		22000	16		16.5	28	0.6	37
SBC6902ZZ	15	28	7	0.3	4.3	2.25	26000	17	18	26	0.3	17			
SBC6002ZZ		32	9		5.6	2.85	23000		18.5	30		30			
SBC6202ZZ		35	11		0.6	7.65	3.75		20000	19.5		31	0.6	45	
SBC6903ZZ	17	30	7	0.3	4.6	2.55	23000	19	28	0.3	18				
SBC6003ZZ		35	10		6	3.25	21000		21		33	39			
SBC6203ZZ		40	12		0.5	9.55	4.8		17000		21	22	36	0.6	65
SBC6904ZZ	20	37	9	0.3	6.35	3.7	19000	22	23.5	35	0.3	36			
SBC6004ZZ		42	12		9.4	5.05	17000		24	25		38	0.6	69	
SBC6204ZZ		47	14		1	12.8	6.65		15000	25		26.5	42	1	106

kgf=Nx0.101972



Ordering
Example

Part Number
SBC684ZZ
SBC6202ZZ