



Miniature Linear Guides

Long Blocks with Dowel Holes, Light Preload

Similar Products Comparison Points | MISUMI original specifications with dowel holes. Requires less time for assembly and has better repeatability.

MISUMI Original

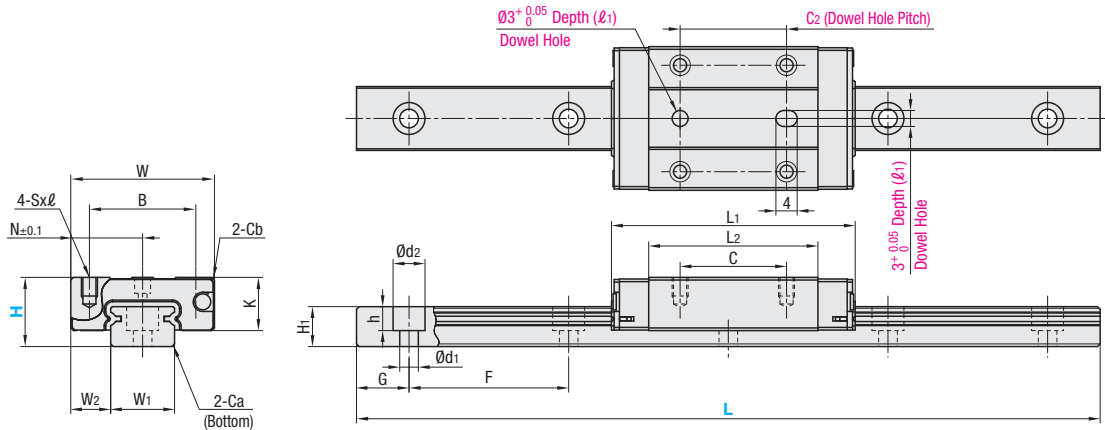


RoHS 10

Blocks and rails are not sold as separate items. This Type has guaranteed radial clearances and accuracies as sets of blocks and rails.

Material Hardness	Type	MX (Lubrication Unit)	L Dimension	Number of Blocks
	Light Preload High Grade			
Stainless Steel 56HRC-	SSELBN	Blank: None -MX: Provided	Selectable	1
	SSEL2BN			2
	SSELBNL			1
	SSEL2BNL			2

Heat Resistant Temperature: -20 ~ 80°C



For L Configurable, G dimensions differ from those shown in the table below. For details, see P531.

Precautions for Use

- Blocks are equipped with retainers (wire) to prevent balls from falling off. For how to handle the blocks, see P525.
- Radial clearances and accuracies are not guaranteed if the blocks and rails are interchanged from the original set combinations.
- Straight grooves are provided on datum planes. Be sure to match the datum lines when using.
- Rails cannot be connected end to end.
- The accuracy of Linear Guides is guaranteed after mounting the rail (after fastening screws on the rail and pushing it onto the datum plane).
- Minor bending of the rail will be adjusted after being mounted and will not affect the

performance.

- Accessory
- H8 comes with cap screws (M2x6).
- Others
- Filled with Lithium soap based grease (Multemp Grease PS2 by Kyodo Yushi Co., Ltd.).
- For operating life calculation, see P527.
- For operating life calculations, use our free calculation software from http://download.misumi.jp/mol/fa_soft.html.
- The MX type is greased with a lithium complex grease (TOUGHUX GREASE MP2, made by JXTG Nippon Oil & Energy Corporation).

Part Number	Type	MX	H	L	Block Dimension										Dowel Hole Dimensions										Guide Rail Dimension									
					W	L ₁	B	C	Sxℓ	L ₂	K	Cb	N	C ₂	(ℓ ₁)	W ₁	W ₂	H ₁	Ca	Counterbored Hole d ₁ x ₂ h	F	G												
SSELBN SSEL2BN SSELBNL SSEL2BNL	Blank: None -MX: Provided	-	8	40-130 (100)	17	32	12	13	M2x2.5	22	6.5	0.3	8.5	13	2	7	5	4.7	0.3	2.4x4.2x3	15	5												
			10	55-275 (115)	20	40	15	16	M3x3	29	7.8	0.3	10	16	2.5	9	5.5	5.5	0.3	3.5x6x3.5	20	7.5												
			13	70-470 (120)	27	45.8	20	20	M3x3.5	31.8	10	0.5	13.5	20	3	12	7.5	7.5	0.5	3.5x6x4.5	25	10												
			16	110-670 (150)	32	58.3	25	25	M3x4	43.3	12	0.5	16	25	4	15	8.5	9.5	0.5	3.5x6x4.5	40	15												
			20	160-700 (220)	40	67.7	30	30	M4x6	52.3	15	0.5	20	30	4	20	10	11	0.5	6x9.5x5.5	60	20												

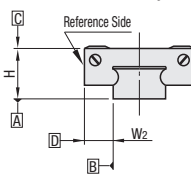
Dimensions in () are for 2-Block Type.

kgf=Nx0.101972

H	Basic Load Rating			Allowable Static Moment			Mass	
	C (Dynamic) kN	Co (Static) kN	Co (Static) kN	MA N·m	MB N·m	MC N·m	Block kg	Guide Rail kg/m
8	1.6	2.4	7.5	7.5	9.0	0.016	0.19	
10	2.2	3.7	12.3	12.3	13.0	0.03	0.31	
13	3.5	5.3	24.5	26.4	32.3	0.06	0.61	
16	5.8	8.7	57.8	62.6	67.6	0.10	1.02	
20	7.2	13.5	80.7	80.7	138.2	0.18	1.65	

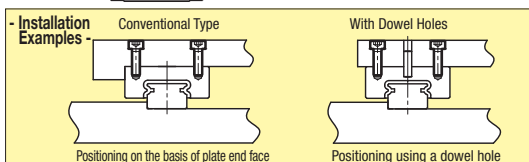


Preload and Accuracy Standards

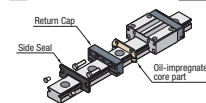


Specifications	Light Preload, High Grade
Radial Clearance	-3-0
Height H Tolerance	±20
Pair Variation of Height H	15
Width W ₂ Tolerance	±25
Pair Variation of Width W ₂	20
Running Parallelism of Plane C against Plane A	See P525
Running Parallelism of Plane D against Plane A	See P525

Unit: μm



Lubrication Unit MX



The same block size as existing products!

The oil-impregnated porous core part has been built into the product.

- Advantages of the Lubrication Unit MX:
 - Provides long-term maintenance-free operation.
 - Reduces maintenance costs.