

Flanged Linear Bushings

Long / Long, Pilot

= For customers selecting MISUMI original specifications =
 The part enclosed in the red frame is as per standard specifications (Outer cylinder SUJ2 equivalent, Retainer resin).
 Consider these specifications while selecting the product.

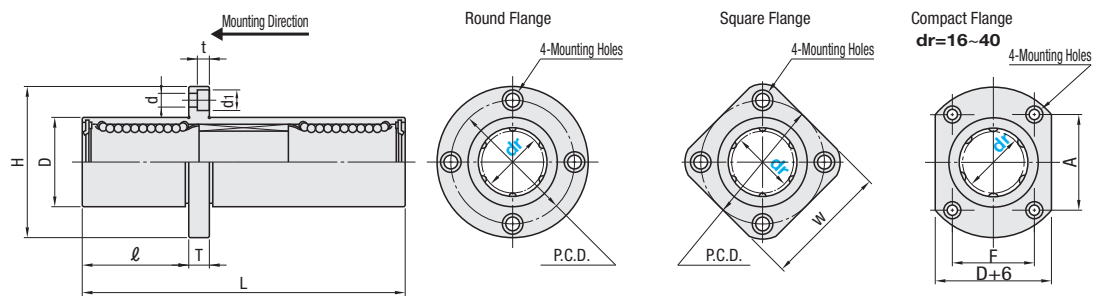
Features: Easy to assemble with bolt-on flanges. A load can be placed near the center of the bushing, evenly distributing the load and space.

MISUMI Original



RoHS10

Type			Outer Cylinder, Balls		Outer Cylinder	Retainer	Ambient Operating Temp.	Accessory	
Round Flange	Square Flange	Compact Flange	M Material	H Hardness	S Surface Treatment	M Material			
LHKMRNL	LHKMSNL	LHKMCNL	SUJ2 Equivalent	58HRC~	-	Plastic (Duracon M90 Equivalent)	-20~ 80°C	Seal M Material Nitrile Rubber (-20~120°C)	
LHKMRNLF	LHKMSNLF	-				Stainless Steel (SUS)	-20~110°C		
LHKMRL	LHKMSL	LHKMCL				Electless Nickel Plating	Plastic (Duracon M90 Equivalent)		-20~ 80°C
LHKMRLF	LHKMSLF	-				Stainless Steel (SUS)	-20~110°C		
SLHKMRLFS	SLHKMSLFS	-	SUS440C Equivalent	56HRC~	-	Stainless Steel (SUS)	-20~120°C		



dr	D Tolerance		L	l	H	T	d	t	P.C.D.	W	F	A	Eccentricity	Rows of Balls	* Perpendicularity	Basic Load Rating			Allowable Static Moment (N·m)	Mass (g)		
	No Surface Treatment	Surface Treatment														Tolerance	C (Dynamic)	N (Co)		(Static) N	Round Flange	Square Flange
6	15	0	49	17	32	5	3.5	6	3.1	24	25	-	-	0.020	0.020	324	529	8.2	66	58	-	
8	19	0	68	22	40	6	4.5	7.5	4.1	29	30	-	-			431	784	16.0	135	117	-	
10	23	0	82	27	43	6	4.5	7.5	4.1	33	34	-	-			588	1100	27.0	205	189	-	
12	26	-0.016	86	28	46	6	4.5	7.5	4.1	36	35	-	-			657	1200	40.1	248	228	-	
13	28	0	92	30	48	6	4.5	7.5	4.1	38	37	-	-			813	1570	42.9	308	286	-	
16	32	0	105	35	54	8	5.5	9	5.1	43	42	24	36			1230	2350	73.5	412	376	386	
20	40	-0.019	120	40	62	10	6.6	11	6.1	51	50	32	40	0.025	0.025	1400	2740	98.0	752	714	724	
25	45	-0.025	167	55	74	10	6.6	11	6.1	60	58	35	49			1560	3140	157	1244	1163	1178	
30	52	0	184	61	82	13	9	14	8.1	67	64	38	55			2490	5490	297	1636	1543	1567	
35	60	-0.030	200	67	96	13	9	14	8.1	78	75	45	64	0.030	0.030	2650	6270	373	2580	2400	2433	
40	65	-0.021	230	77	101	13	9	14	8.1	83	80	48	68			3430	8040	553	2950	2510	2728	

For Precautions for Use, see P.303.

* Perpendicularity of D part to flange mounting surface kgf=Nx0.101972

Part Number	Unit Price											
	Type	dr	Round Flange				Square Flange				Compact Flange	
(SUJ2 Equivalent) (SUS440C Equivalent)	6	LHKMRNL	LHKMRL	LHKMRNLF	LHKMRLF	SLHKMRLFS	LHKMSNL	LHKMSL	LHKMSNLF	LHKMSLFS	LHKMCNL	LHKMCL
(Round Flange)	8	LHKMRNL	LHKMRL	LHKMRNLF	LHKMRLF	SLHKMRLFS	LHKMSNL	LHKMSL	LHKMSNLF	LHKMSLFS	LHKMCNL	LHKMCL
	10	LHKMRNL	LHKMRL	LHKMRNLF	LHKMRLF	SLHKMRLFS	LHKMSNL	LHKMSL	LHKMSNLF	LHKMSLFS	LHKMCNL	LHKMCL
	12	LHKMRNL	LHKMRL	LHKMRNLF	LHKMRLF	SLHKMRLFS	LHKMSNL	LHKMSL	LHKMSNLF	LHKMSLFS	LHKMCNL	LHKMCL
	13	LHKMRNL	LHKMRL	LHKMRNLF	LHKMRLF	SLHKMRLFS	LHKMSNL	LHKMSL	LHKMSNLF	LHKMSLFS	LHKMCNL	LHKMCL
(Square Flange)	16	LHKMSNL	LHKMSL	LHKMSNLF	LHKMSLFS	LHKMCNL	LHKMCL					
	20	LHKMSNL	LHKMSL	LHKMSNLF	LHKMSLFS	LHKMCNL	LHKMCL					
	25	LHKMSNL	LHKMSL	LHKMSNLF	LHKMSLFS	LHKMCNL	LHKMCL					
	30	LHKMSNL	LHKMSL	LHKMSNLF	LHKMSLFS	LHKMCNL	LHKMCL					
(Compact Flange)	35	LHKMCNL	LHKMCL									
	40	LHKMCNL	LHKMCL									

Ordering Example

Part Number

- LHKMSLF6 (L Type Greased)
- LHKMSLF6L (G Type Greased)
- LHKMSLF6G (H Type Greased)

Alternative grease types available.
 For Days to Ship, Price and Performance, see P.304.

Example

For long stroke applications, use longer bushings for less clearances.

