

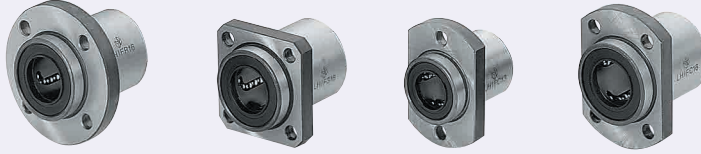
Flanged Linear Bushings

Single, Pilot

= For customers using industry standard products =
 The part enclosed in the red frame is as per industry standard specifications (Outer cylinder SUJ2 equivalent, Retainer resin).
 Consider these specifications while selecting the product.

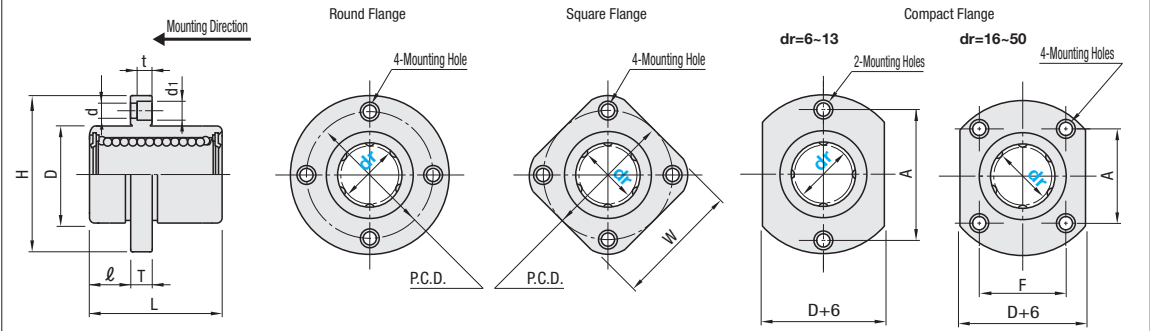
Features: Easy to assemble with bolt-on flanges. The linear bushing does not protrude out on the front side for good space utilization.

Industry Standard



RoHS10

Round Flange	Type			Outer Cylinder			Balls	Retainer		Ambient Operating Temp.	Accessory
	Square Flange	Compact Flange		Material	Hardness	Surface Treatment	Material	Material			
LHIFR	LHIFS	LHIFC		SUJ2 Equivalent	58HRC~	-	SUJ2 Equivalent	Plastic (Duracon M90 Equivalent)	-	-20~ 80°C	Seal Material Nitrile Rubber (-20~120°C)
LHIFRF	LHIFSF	LHIFCF						Electroless Nickel Plating			
LHIFRM	LHIFSM	LHIFCM		-	-	-	Plastic (Duracon M90 Equivalent)		-20~ 80°C		
LHIFRMF	LHIFSMF	LHIFCMF					SUS440C Equivalent	56HRC~	-	Stainless Steel (SUS)	
SLHIFR	SLHIFS	SLHIFC		-	-	-				Plastic (Duracon M90 Equivalent)	
SLHIFRF	SLHIFSF	SLHIFCF					-	-	-	Stainless Steel (SUS)	



dr	Tolerance	D Tolerance		L Tolerance	l	H	T	d	d1	t	P.C.D.	W	F	A	Eccentricity	Rows of Balls	* Perpendicularity	Basic Load Rating			Mass (g)			
		No Surface Treatment	Surface Treatment															C (Dynamic)	N (Static)	Round Flange	Square Flange	Compact Flange		
6		12	0	19	±0.3	5	28	5	3.5	6	3.1	20	22	-	20	0.012	4	0.012	206	265	24	18	21	
8		15	-0.013	-0.018		24	5	32	5	4	6	3.1	24	25	-				24	265	380	37	29	33
10	0	19	-0.016	-0.021		29	6	40	6	4.5	7.5	4.1	29	30	-				29	372	549	72	52	64
12	-0.009	21	0	0		30	6	42	6	4.5	7.5	4.1	32	32	-				32	412	598	76	57	68
13		23	-0.016	-0.021		32	6	43	6	4.5	7.5	4.1	33	34	-				33	510	784	88	72	81
16		28	-0.016	-0.021		37	6	48	6	4.5	7.5	4.1	38	37	22				31	775	1180	120	104	112
20		32	0	0		42	8	54	8	5.5	9	5.1	43	42	24				36	882	1370	180	145	167
25	0	40	-0.019	-0.025		59	8	62	8	5.5	9	5.1	51	50	32				40	980	1570	340	300	325
30	-0.010	45	-0.019	-0.025		64	10	74	10	6.6	11	6.1	60	58	35				49	1570	2740	470	375	388
35	0	52	0	0		70	10	82	10	6.6	11	6.1	67	64	38				55	1670	3140	650	560	575
40	0	60	-0.022	-0.030		80	13	96	13	9	14	8.1	78	75	45				64	2160	4020	1060	880	913
50	-0.012	80	-0.022	-0.030		100	13	116	13	9	14	8.1	98	92	56				80	3820	7940	2200	2000	2037

For Precautions for Use, see P303. * Perpendicularity of D to flange mounting surface kgf=Nx0.101972
 Select Height-adjusting Spacers for Flanged Bushings from P330.

dr	Unit Price																	
	Round Flange				Square Flange				Compact Flange									
	LHIFR	LHIFRF	LHIFRM	LHIFRMF	SLHIFR	SLHIFRS	LHIFS	LHIFSF	LHIFSM	LHIFSMF	SLHIFS	SLHIFSS	LHIFC	LHIFCF	LHIFCM	LHIFCMF	SLHIFC	SLHIFCS
6																		
8																		
10																		
12																		
13																		
16																		
20																		
25																		
30																		
35																		
40																		
50																		

Ordering Example
 Part Number
LHIFR20
 ● LHIFR20L (L Type Greased)
 ● LHIFR20G (G Type Greased)
 ● LHIFR20H (H Type Greased)

Alternative grease types available.
 For Days to Ship, Price and Performance, see P304.

