


Shaft Supports - L-Shaped (Cast)

Standard / Slit

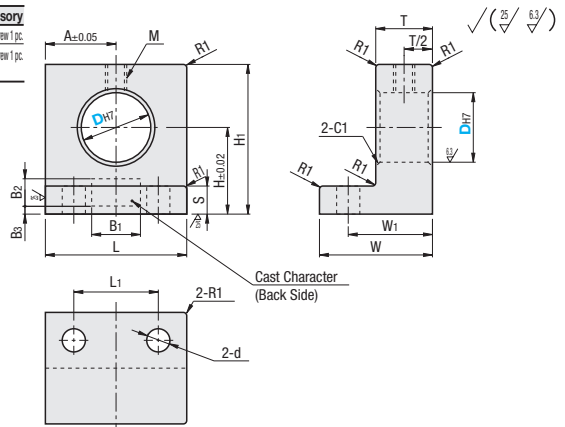
Features : Cast manufacturing enabled more economical prices than the other machined products of the same type.

Standard



RoHS10


Type	M Material	S Surface Treatment	A Accessory
SHKLB	S45C Equivalent	Black Oxide	Hex Socket Set Screw 1 pc.
SHKLM	S45C Equivalent	Electroless Nickel Plating	Hex Socket Set Screw 1 pc.
SHKLS	SUS304 Equivalent	-	Hex Socket Set Screw 1 pc. (SIS)



Cast Character (Back Side)

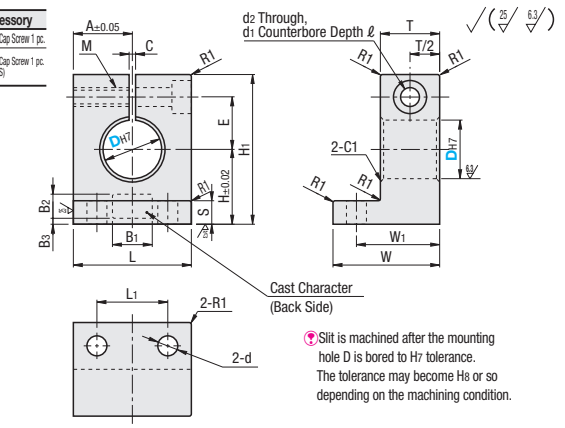
Part Number Type	D	H	L	H ₁	T	S	W	W ₁	A	Tightening Screw M	L ₁	d	B ₁	B ₂	B ₃	Mass g	Unit Price		
																	SHKLB	SHKLM	SHKLS
SHKLB SHKLM SHKLS	8	15	25	24	10	6	20	15	12.5	M4	13	5.5	14	8	2	60			
	10	20		30															
	12	25		31															
	16	30	38																
	20	40	43																
	25	50	50																
30	30	50	53	12	10	30	20	25	M6	30	9				369				

Slit Type



RoHS10

Type	M Material	S Surface Treatment	A Accessory
SHKSB	S45C Equivalent	Black Oxide	Hex Socket Head Cap Screw 1 pc.
SHKSM	S45C Equivalent	Electroless Nickel Plating	Hex Socket Head Cap Screw 1 pc.
SHKSST	SUS304 Equivalent	-	Hex Socket Head Cap Screw 1 pc. (SIS)



Cast Character (Back Side)

⚠ Slit is machined after the mounting hole D is bored to H7 tolerance. The tolerance may become H8 or so depending on the machining condition.

Part Number Type	D	H	L	H ₁	T	S	W	W ₁	A	L ₁	d	E	Tightening Screw M	d ₂	d ₁	ℓ	C	B ₁	B ₂	B ₃	Mass g	Unit Price		
																						SHKSB	SHKSM	SHKSST
SHKSB SHKSM SHKSST	8	15	25	31	12	6	22	17	12.5	15	5.5	11	M4	4.5	8	4.5	2	14	8	2	72			
	10	20		36																				
	12	25		38																				
	16	30	45																					
	20	40	51																					
	25	50	58																					
30	30	50	63	20	10	40	30	25	30	9	24	M8	9	14	9	3				417				



Ordering Example

Part Number
SHKSBT8