

# Shaft Supports Flanged Mount, Thick Sleeve

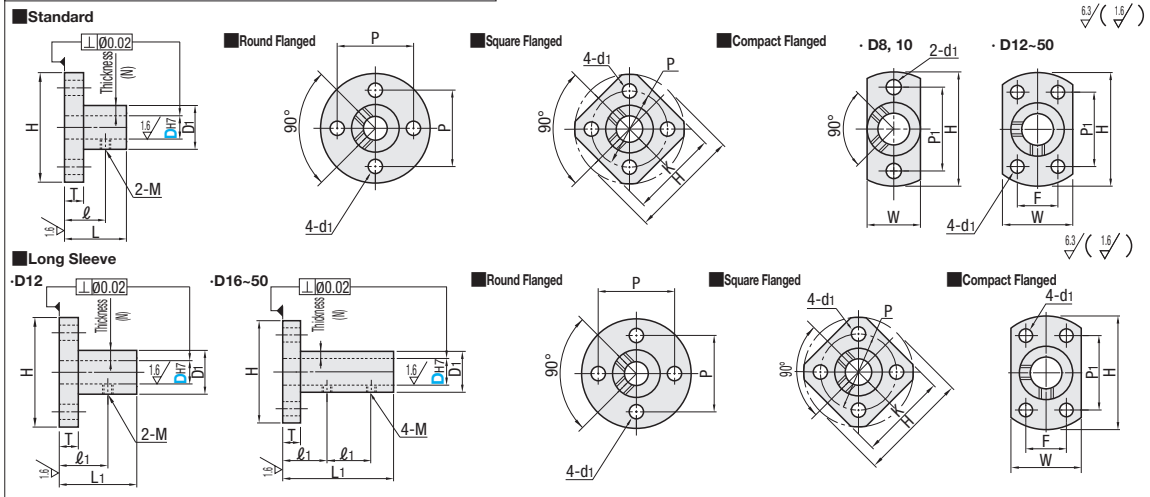
## Standard / Long Sleeve / With Pilot / With Dowel Holes

■ Features: Thicker sleeve than the standard type P.233 enhances strength against falling.



Type	Round Flanged	Square Flanged	Compact Flanged	Material	Surface Treatment
Standard	STHRBN	STHSBN	STHCBN	General	Black Oxide
	STHRN	STHSN	STHCN	Structural Steel	Electroless Nickel Plating
	SSTHRN	SSTHSN	SSTHCN	SUS304	-
	STHRNA	-	STHCNA	Aluminum Alloy	Clear Anodize
Long Sleeve	STHRBNL	STHSBNL	STHCBNL	General	Black Oxide
	STHRNL	STHSNL	STHCNL	Structural Steel	Electroless Nickel Plating
	SSTHRNL	SSTHSNL	SSTHCNL	SUS304	-

⊕ See Alterations section for inclusion of a Hex Socket Set Screw.



Part Number		Sleeve Thickness (N)		L	L1	D1	H	T	l	l1	M (Coarse)	P	K	W	P1	F	d1
Standard	Type	DH7															
		8 <sup>2</sup>	+0.015	3.5	16	-	15	32	5	10	-	M3	25	25	15	25	3.5
		10 <sup>2</sup>	0				20	38	12	-	M3	30	30	20	30	-	
Round Flanged	Square Flanged	Compact Flanged		5	24	30	22	40	15	15		32	32	25	28	16	4.5
STHRBN	STHSBN	STHCBN			26	-	24	42	16	-	M4	34	34	27		18	
STHRN	STHSN	STHCN		5.5	30	-	26	48	18	-	M4	38	38	29	32		
SSTHRN	SSTHSN	SSTHCN					28	50	19	16		40	39	32	33	22	5.5
(Only for D dimension denoted with <sup>2</sup> mark)				6	32	48	35	63	20		M5	50	48	40	42	25	
STHRNA	STHCNA						40	68	23	19		55	53	45	45	30	6.6
			+0.021	7.5	38	57	45	73	8		M6	60	58	50	48	35	
Long Sleeve (Only for D dimension denoted with <sup>1</sup> mark)				10			55	89	10			72	70	61	58	42	
STHRBNL	STHSBNL	STHCBNL					70	104	30	25		87	80	76	68	54	9
STHRNL	STHSNL	STHCNL		15	50	75	80	114	12		M8	97	90	86	73	64	
SSTHRNL	SSTHSNL	SSTHCNL															

⊕ Clear and black anodized products are available for D dimension denoted with <sup>2</sup> mark only. ⊕ Long Sleeve Type is available only for D dimension denoted with <sup>1</sup> mark.

D	Unit Price										
	Round Flanged				Square Flanged				Compact Flanged		
	STHRBN	STHRN	SSTHRN	STHRNA	STHSBN	STHSN	SSTHSN	STHCBN	STHCN	SSTHCN	STHCNA
8											
10											
12											
13											
15											
16											
20											
25											
30											
35											
40											
50											

D	Unit Price								
	Round Flanged			Square Flanged			Compact Flanged		
	STHRBNL	STHRNL	SSTHRNL	STHSBNL	STHSNL	SSTHSNL	STHCBNL	STHCNL	SSTHCNL
12									
16									
20									
25									
30									
35									
40									
50									