

■ Specifications of Coil

Rated voltage	AC 100 / 200 V selective type	AC 110 / 220 V selective type
	50 / 60 Hz common	
Nominal size	10-50A	
Allowable fluctuation	Rated voltage -5% to +10%	
Rated current	0.42 / 0.21 A	0.38 / 0.19 A
Starting current	1.64 / 0.82 A	1.48 / 0.74 A
Insulation class	Insulation class H	
Protective structure	Dust tight, Splash proof	
Ingress protection code	IP64 (JIS C0920)	
Insulation resistance	50 MΩ and more / 500 V megger	
Withstand voltage test	1500 V/min	
Removing lead wire	Conduit G 1/2 (CTG 16)	

\* Available with a terminal box.

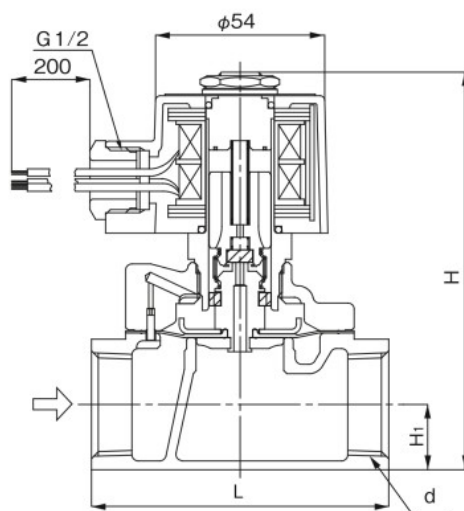
■ Dimensions (mm) and Weights (kg)

· DP-200, DP-200-N

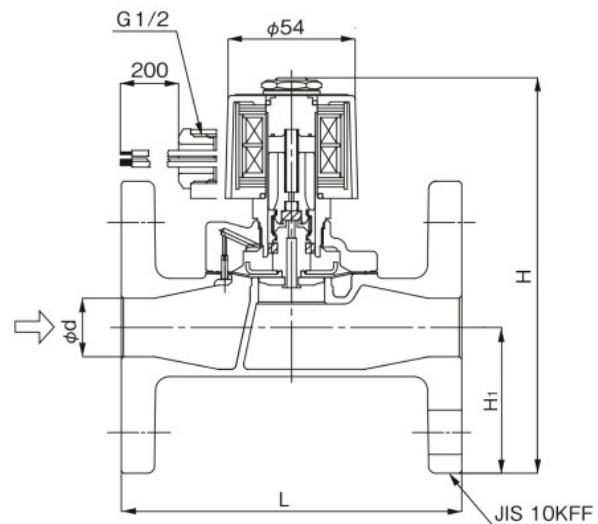
Nominal size	d	L	H	H <sub>1</sub>	Weight
10A	Rc 3/8	70	114	14.5	1.1
15A	Rc 1/2				1.1
20A	Rc 3/4	80	121	17.5	1.3
25A	Rc 1	95	128	21.0	1.7
32A	Rc 1-1/4	110	150	26.0	2.5
40A	Rc 1-1/2	120	157	29.5	3.1
50A	Rc 2	140	172	36.5	5.0

· DP-200F, DP-200F-N

Nominal size	d	L	H	H <sub>1</sub>	Weight
15A	15	120	147	47.5	2.7
20A	20	130	153	50.0	3.3
25A	25	145	169	62.5	4.8
32A	32	160	192	67.5	6.6
40A	40	170	198	70.0	7.3
50A	50	195	213	77.5	10.0



DP-200



DP-200F