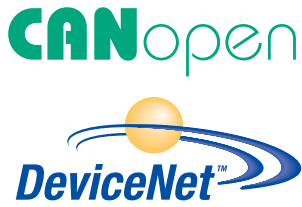


Screw connection M12, metal (EMC)



SAISM / SAIBM

straight



SAISW / SAIBW

Angled



Ordering data

Male	5-pole, PG 9
Socket	5-pole, PG 9
Note	

Type	Qty.	Order No.
SAIS-M-5/8S M12 5P A-COD	1	1784740000
SAIB-M-5/8S M12 5P A-COD	1	1784750000
Other versions on request		

Type	Qty.	Order No.
SAISW-M-5/8 M12	1	1803940000
SAIBW-M-5/8 M12	1	1803920000
Other versions on request		

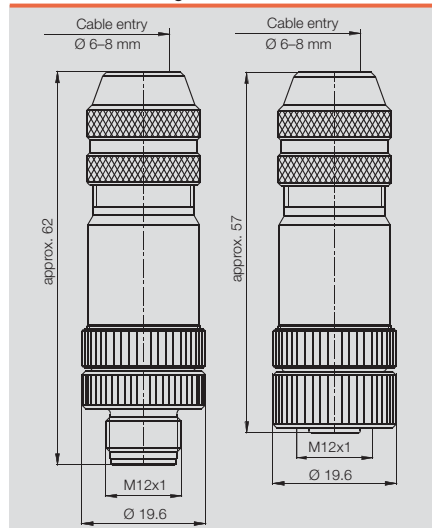
Technical data

Type of connection	Screw connection
Housing main material	CuZn
Contact tube diameter	M12
Cable diameter	6...8 mm (PG9)
Cross-section for connected wire	0.14 - 0.75 mm ²
Rated current	4 A
Rated voltage	125 V
Temperature range of housing	-25...+85 °C
Protection class	IP 67
Contact surface	gold-plated
Note	

Type of connection	Screw connection
Housing main material	CuZn
Contact tube diameter	M12
Cable diameter	6...8 mm (PG9)
Cross-section for connected wire	0.14 - 0.75 mm ²
Rated current	4 A
Rated voltage	125 V
Temperature range of housing	-25...+85 °C
Protection class	IP 67
Contact surface	gold-plated
Note	

Type of connection	Screw connection
Housing main material	CuZn
Contact tube diameter	M12
Cable diameter	6...8 mm (PG9)
Cross-section for connected wire	0.14 - 0.75 mm ²
Rated current	4 A
Rated voltage	125 V
Temperature range of housing	-25...+85 °C
Protection class	IP 67
Contact surface	gold-plated
Note	

Dimensioned drawing



Dimensioned drawing

