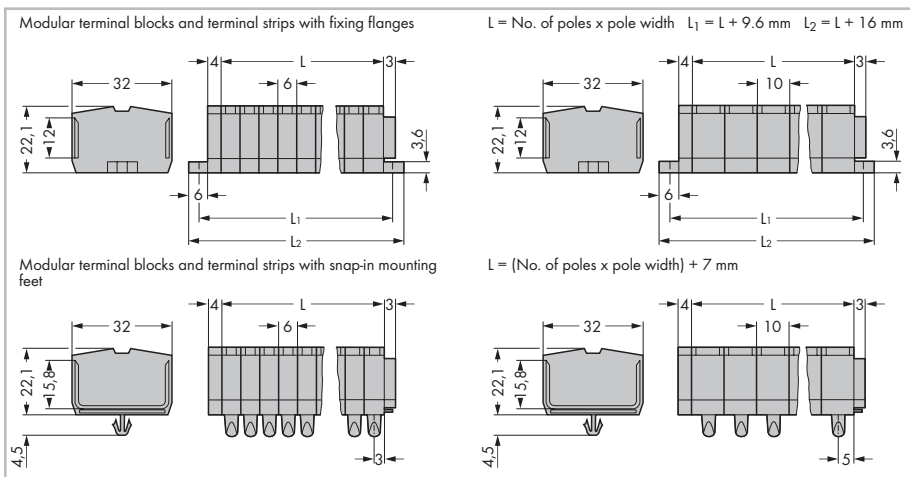


# Terminal Strips with Fixing Flanges or Snap-in Mounting Feet 2.5 mm<sup>2</sup> 264 Series

0.08 ... 2.5 mm <sup>2</sup> 800 V/8 kV/3 ① I <sub>N</sub> 24 A  Pole width 6 mm / 0.236 in. 8 ... 9 mm / 0.33 in. ③	AWG 28 ... 12 * 300 V, 20 A ② 600 V, 20 A ③	0.08 ... 2.5 mm <sup>2</sup> 800 V/8 kV/3 ① I <sub>N</sub> 24 A  Pole width 10 mm / 0.394 in. 8 ... 9 mm / 0.33 in. ③	AWG 28 ... 12 * 300 V, 20 A ② 600 V, 20 A ③	0.5 ... 2.5 mm <sup>2</sup> 690 V ② I <sub>N</sub> 23 A  Pole width 6 mm / 0.236 in. 8 ... 9 mm / 0.33 in. ③	AWG 20 ... 12 * 300 V, 20 A ② 600 V, 20 A ③
---	---	--	---	---	---



Pole No.	Item No.	Pack. Unit	Pole No.	Item No.	Pack. Unit	Pole No.	Item No.	Pack. Unit
<b>2-conductor terminal strip with fixing flanges, for screw or similar mounting types, fixing hole 3.2 mm Ø, gray</b>			<b>4-conductor terminal strip with fixing flanges, for screw or similar mounting types, fixing hole 3.2 mm Ø, gray</b>			<b>2-conductor Ex e II terminal strip with fixing flanges, for screw or similar mounting types, fixing hole 3.2 mm Ø, light gray</b>		
2	264-102	100	2	264-202	100	2	264-132	100
3	264-103	100	3	264-203	100	3	264-133	100
4	264-104	100	4	264-204	100	4	264-134	100
5	264-105	100	5	264-205	100	5	264-135	100
6	264-106	100	6	264-206	100	6	264-136	100
7	264-107	100	7	264-207	100	7	264-137	100
8	264-108	100	8	264-208	100	8	264-138	100
9	264-109	50	9	264-209	50	9	264-139	50
10	264-110	50	10	264-210	50	10	264-140	50
11	264-111	50	11	264-211	25	11	264-141	25
12 ④	264-112	25	12 ④	264-212	25	12 ④	264-142	25
<b>2-conductor terminal strip with snap-in mounting feet, for plate thickness 0.6 ... 1.2 mm, fixing hole 3.5 mm Ø, gray</b>			<b>4-conductor terminal strip with snap-in mounting feet, for plate thickness 0.6 ... 1.2 mm, fixing hole 3.5 mm Ø, gray</b>			<b>2-conductor Ex e II terminal strip with snap-in mounting feet, for plate thickness 0.6 ... 1.2 mm, fixing hole 3.5 mm Ø, light gray</b>		
2	264-152	100	2	264-252	100	2	264-182	100
3	264-153	100	3	264-253	100	3	264-183	100
4	264-154	100	4	264-254	100	4	264-184	100
5	264-155	100	5	264-255	100	5	264-185	100
6	264-156	50	6	264-256	50	6	264-186	50
7	264-157	50	7	264-257	50	7	264-187	50
8	264-158	50	8	264-258	50	8	264-188	50
9	264-159	50	9	264-259	50	9	264-189	50
10	264-160	25	10	264-260	25	10	264-190	25
11	264-161	25	11	264-261	25	11	264-191	25
12 ④	264-162	25	12 ④	264-262	25	12 ④	264-192	25



Dimensions in mm

Certification organizations can be found in the overview on page 622.



Ex e II terminal strip with fixing flanges