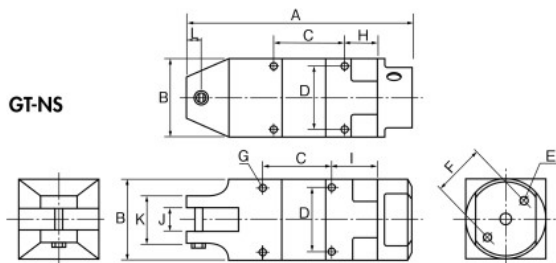


## No. GT-NS3/5/7/10L/20/30 Square Air Nippers

●VESSEL provides a generous selection of blades for gate-cutting of resin molded products and various wire cutting in a welding automatic machine and wire winding machine.

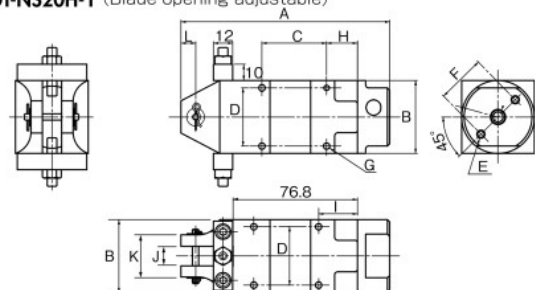


- The position of air intake port is 180-degree rotatable.
- Two air intake ports are provided, so they can be switched depending on the mounting place.



Made-to-order

GT-NS20H-1 (Blade opening adjustable)



### Reference

Capacity $\phi$ (mm)				Model No.	Size (mm)											Air Consumption (cm <sup>3</sup> /str.)	Air Pressure (MPa)	Weight (g)	Hose coupling	EDP No.	
Soft Plastic	Hard Plastic	Copper	Steel		A	B	C	D	E	F	G	H	I	J	K						L
2.0		1.0	0.5	GT-NS3	110	23	40	19	M3 Depth8	17	M3 Depth3.5	19	24	7	23	7	45	0.4~0.5	95	Rc 1/8	360012
2.0		1.0	0.5	GT-NS5	94	30	30	24	M4 Depth10	20	M3 Depth5	14	19	7	23	7	64	0.4~0.5	135		360013
3.0	2.0	1.6	1.0	GT-NS7	113	36	30	28	M4 Depth10	24	M4 Depth5.5	18	23	9	23	7	116	0.4~0.5	215		360014
4.0	2.6	1.8	1.2	GT-NS10L	113	36	30	28	M4 Depth10	24	M4 Depth5.5	18	23	12	26	7	116	0.5~0.6	215		360009
7.0	5.0	2.6	2.0	GT-NS20	129	45	40	36	M5 Depth12	30	M4 Depth7	19	24	12	26	9	230	0.5~0.6	370		360010
10.0	6.5	3.3	2.8	GT-NS30	170	56	60	46	M6 Depth12	40	M5 Depth10	20	30	17	36	15	584	0.5~0.6	685		360011
7.0	5.0	2.6	2.0	GT-NS20H-1	129	45	40	36	M5 Depth12	30	M4 Depth7	19	24	12	26	9	230	0.5~0.6	455	360021	

\*The capacity in the above table is given for reference, when mounting a standard type of blade. The capacity depends on the blade shape and the material of the object to cut.

•Air hose inner dia. : 5mm •Overall length and Weight: Accessories not included.

• Check the dimensions of the VESSEL nippers and blades when installing them in an automation machine (outer diameter of the frame, screw diameter, distance between installation screws, and others)

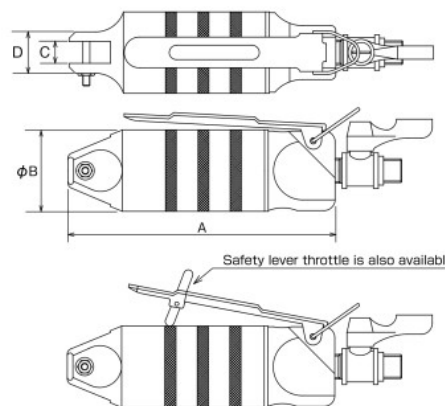
• The GT-NS50 is available as made-to-order. Please consult us for more detail.

## No. GT-N3/5/7/10/12/20/30/50 Hand Held Air Nippers

●VESSEL's made-to-order blades provide solutions for a virtually unlimited range of needs, leading to safer and more efficient working conditions, and less fatigue for the operator.



•N20, N30 and N50 have the air cock.



### Reference

Capacity $\phi$ (mm)				Model No.	Size (mm)				Air Consumption (cm <sup>3</sup> /str.)	Air Pressure (MPa)	Weight (g)	Body	Hose coupling	EDP No.
Soft Plastic	Hard Plastic	Copper	Steel		A	B	C	D						
2.0		1.0	0.5	GT-N3	112	23	7	14	45	0.4~0.5	95	Rc 1/8	Rc 1/4	360002
2.0		1.0	0.5	GT-N5	103	30	7	17	64	0.4~0.5	135	Rc 1/8		360003
3.0	2.0	1.6	1.0	GT-N7	123	34	9	17	116	0.4~0.5	180	Rc 1/4		360004
4.0	2.6	1.8	1.2	GT-N10	132	34	9	17	116	0.4~0.5	185	Rc 1/4		360005
4.5	4.0	2.3	1.7	GT-N12	142	36	12	20	116	0.5~0.6	210	Rc 1/4		360006
7.0	5.0	2.6	2.0	GT-N20	148	45	12	23	230	0.5~0.6	375	Rc 1/4		360007
10.0	6.5	3.3	2.8	GT-N30	185	56	17	30	584	0.5~0.6	625	Rc 1/4	360008	
		5.5	4.5	GT-N50	237	75	25.2	43	1,170	0.5~0.6	1,220	Rc 1/4	360001	

\*The capacity in the above table is given for reference, when mounting a standard type of blade. The capacity depends on the blade shape and the material of the object to cut.

•Hose coupling: Rc1/4 •Air hose inner dia. : 5mm •Overall length: Accessories, Hunger not included. •Weight: Accessories not included.

※Blades are optional.

HAND TOOLS

BITS & SOCKETS

ELECTRIC TOOLS

AIR TOOLS

STATIC SOLUTIONS

GASOLINE ENGINE TOOLS