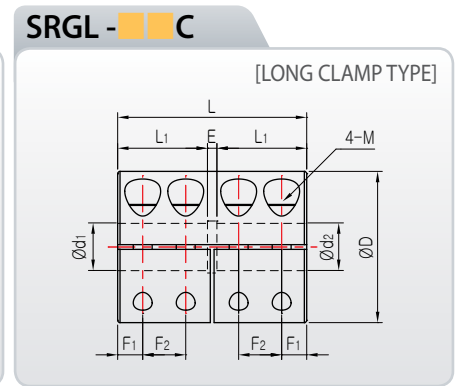
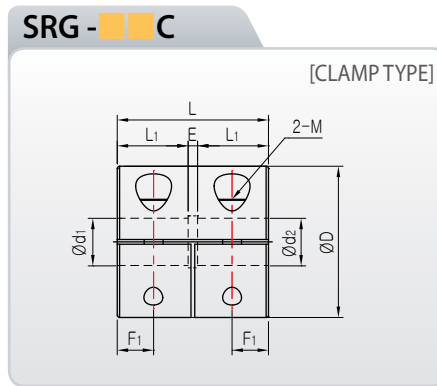
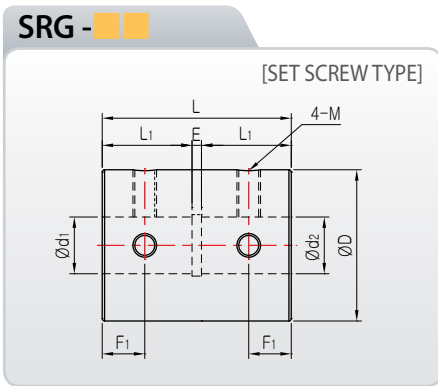


# SRG Series Miniature Rigid Coupling

Please, download CAD DATA from [www.sungilfa.com](http://www.sungilfa.com)



## Dimensions & Performance

Product Number	Dimension (mm) (±0.3)						Fastening Bolt M	Fastening Torque (N·m)	Max·RPM (min <sup>-1</sup> )	Max Torque (N·m)	Rated Torque (N·m)	Moment of Inertia (kg·m <sup>2</sup> )	Mass (g)
	D	L	L <sub>1</sub>	E	F <sub>1</sub>	F <sub>2</sub>							
SRG-16	16	22.5	10.25	2	5	-	M3	0.7	25,000	0.6	0.3	3.9 × 10 <sup>-7</sup>	10
SRG-20	20	24	11	2	5.5	-	M3	0.7	20,000	1	0.5	9.7 × 10 <sup>-7</sup>	15.4
SRG-25	25	35	16.5	2	7.5	-	M4	1.7	18,000	2	1	3.5 × 10 <sup>-6</sup>	36
SRG-32	32	40	19	2	9	-	M5	4	14,000	4	2	1.1 × 10 <sup>-5</sup>	69
SRG-43	43	52	25	2	12	-	M6	7	12,000	9	4.5	4.6 × 10 <sup>-5</sup>	153
SRG-53	53	66	32	2	15.5	-	M8	15	8,000	22	11	1.4 × 10 <sup>-4</sup>	316
SRG-16C	16	16	7	2	3.7	-	M2.6	1	18,000	0.6	0.3	2.5 × 10 <sup>-7</sup>	6.8
SRG-20C	20	20	9	2	4.6	-	M2.6	1	15,000	1	0.5	7.5 × 10 <sup>-7</sup>	12
SRG-25C	25	25	11.5	2	5.8	-	M3	1.7	12,000	2	1	2.3 × 10 <sup>-6</sup>	24
SRG-32C	32	32	15	2	7.6	-	M4	3.5	10,000	4	2	8.0 × 10 <sup>-6</sup>	52
SRG-43C	43	41	19.5	2	10	-	M5	8	8,000	9	4.5	3.3 × 10 <sup>-5</sup>	114
SRG-53C	53	51	24.5	2	12.5	-	M6	13	6,000	22	11	9.2 × 10 <sup>-5</sup>	234
SRGL-16C	16	22.5	10.25	2	3	5.4	M2.6	1	16,000	0.8	0.4	3.4 × 10 <sup>-7</sup>	9.3
SRGL-20C	20	24	11	2	3.1	5.6	M2.6	1	14,000	1.2	0.6	8.6 × 10 <sup>-7</sup>	14
SRGL-25C	25	35	16.5	2	4.7	7.6	M3	1.7	10,000	2.4	1.2	3.2 × 10 <sup>-6</sup>	34
SRGL-32C	32	40	19	2	5.3	9.1	M4	3.5	9,000	4.8	2.4	9.8 × 10 <sup>-6</sup>	63
SRGL-43C	43	52	25	2	7	11.5	M5	8	7,000	10	5	4.1 × 10 <sup>-5</sup>	141
SRGL-53C	53	66	32	2	9	14.5	M6	13	5,500	24	12	1.3 × 10 <sup>-4</sup>	297

- For the inner diameter, INCH type is available
- The recommendation for shaft tolerance is h7.

■ Nonstandard inner diameter is also available

■ Keyway is available

\* Mass and mass moment of inertia are measured with max. bore size

## Standard Inner diameter

Product Number	Standard Inner Diameter(d <sub>1</sub> , d <sub>2</sub> , unit:mm)															
	3	4	5	6	8	10	11	12	14	15	16	18	20	22	24	25
SRG-16 / SRG-16C / SRGL-16C	●	●	●	●												
SRG-20 / SRG-20C / SRGL-20C		●	●	●	●	●										
SRG-25 / SRG-25C / SRGL-25C			●	●	●	●	●	●								
SRG-32 / SRG-32C / SRGL-32C				●	●	●	●	●	●							
SRG-43 / SRG-43C / SRGL-43C						●	●	●	●	●	●	●	●	●	●	
SRG-53 / SRG-53C / SRGL-53C								●	●	●	●	●	●	●	●	●