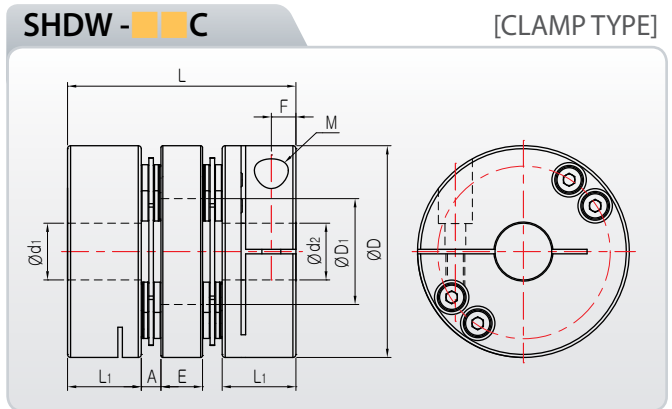
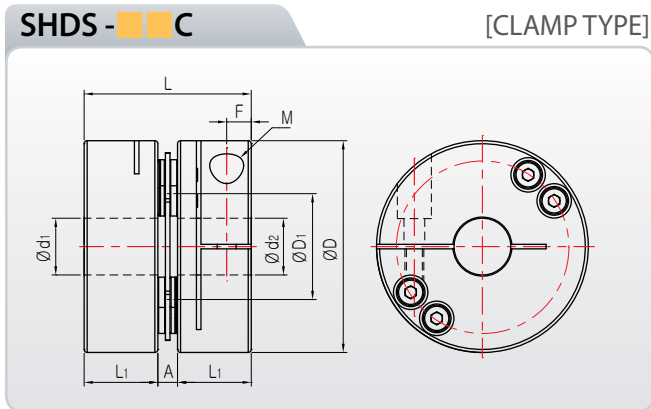


SHD Series

High Torque Flexible Disk Coupling



Dimensions & Performance

Product Number	SHDS - 56C	SHDW - 56C	SHDS - 66C	SHDW - 66C	SHDS - 88C	SHDW - 88C	SHDS - 110C	SHDW - 110C
ØD	56	56	66	66	88	88	108	108
L ₁	19.5	19.5	24.5	24.5	30	30	34.5	34.5
A	5.2	5.2	7.5	7.5	9.9	9.9	8.7	8.7
L	44.2	60.4	56.5	80	69.9	99.8	77.7	111
F	6.5	6.5	7.5	7.5	10	10	10.5	10.5
ØD ₁	30.6	28.6	35.6	35.6	46	46	61.5	61.5
E	-	11	-	16	-	20	-	24.6
M	M6	M6	M6	M6	M8	M8	M10	M10
Wrench Torque(N·m)	13	13	13	13	30	30	50	50
Rated Torque(N·m)	35	35	60	60	180	180	280	280
Max. Torque(N·m)	70	70	120	120	360	360	560	560
Max. RPM	7,000	7,000	6,500	6,500	5,500	5,500	4,000	4,000
Moment of Inertia(Kg·m ²)	4.0 × 10 ⁻⁵	5.8 × 10 ⁻⁵	1.0 × 10 ⁻⁴	1.4 × 10 ⁻⁴	4.3 × 10 ⁻⁴	5.7 × 10 ⁻⁴	2.3 × 10 ⁻³	3.7 × 10 ⁻³
Torsional Stiffness(N·m/rad)	2.0 × 10 ⁴	1.0 × 10 ⁴	3.0 × 10 ⁴	1.5 × 10 ⁴	7.0 × 10 ⁴	3.5 × 10 ⁴	1.4 × 10 ⁵	7.0 × 10 ⁴
Mass(g)	210	300	380	520	900	1,200	1,350	1,920
Allowable Angular Misalignment(°)	0.7	1	0.7	1	0.7	1	0.7	1
Allowable Parallel Misalignment(±mm)	0.02	0.2	0.02	0.2	0.02	0.2	0.02	0.25
Allowable End-Play(±mm)	0.3	0.6	0.3	0.6	0.3	0.6	0.5	1

* Mass and mass moment of inertia are measured with max. bore size.

* There is no relation between "Rated torque & max. torque" and "slip torque".

