

Manual Stage

Lab-Jack



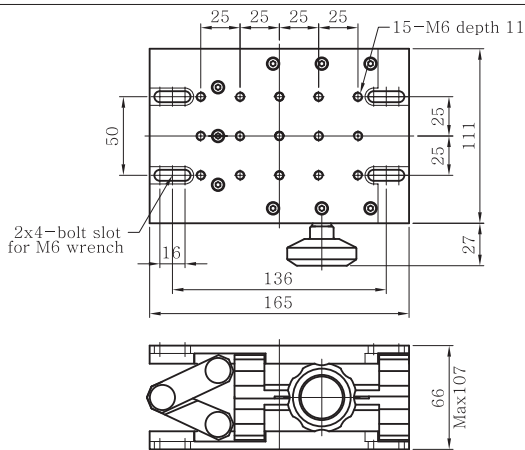
Spec

※ This drawing could be changed in order to improve the product without any notice.

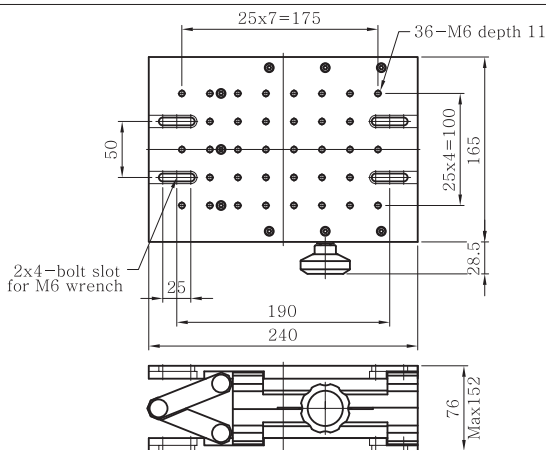
Model No	J-40	J-70
Stage Surface (mm)	165×111	240×165
Z-Travel Min/Max (mm)	66/107	76/152
Stroke (mm)	40	70
Resolution (mm)	1	1
Travel Guide	Screw / Jack	
Material	Aluminum	
Load Capacity (kg)	10	15
Weight (kg)	2.57	6.1

* Top: M6 Tap Tap-dist 25mm.
 * Bottom: 1/4-20unc Tap-dist 25.4mm.

J-40



J-70



MULTI
STAGE