

# Manual Stage / Aluminum

## XY-Dovetail Rack & Pinion Stage

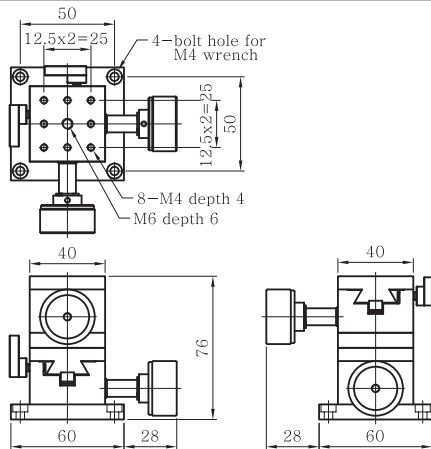


### Spec

※ This drawing could be changed in order to improve the product without any notice.

Model No	D2-44	D2-46	D2-48	D2-410	D2-412	D2-414
Knob Position	Center					
Stage Surface (mm)	40×40	40×60	40×80	40×100	40×120	40×140
Stroke (mm)	±10	±20	±30	±40	±50	±60
Resolution (mm)	0.1 / Vernier					
Parallelism (mm)	0.06					
Straightness (mm)	0.03					
Travel Guide	Surface to Surface / Rack & Pinion					
Material	Aluminum					
Load Capacity (kg/f)	2.8	3.8	3.8	3.8	3.8	3.8
Weight (kg)	0.5	0.62	0.8	0.94	0.98	1.1

### D2-44



### D2-46

