

Manual Stage / Aluminum

Z-Crossroller Guide 25

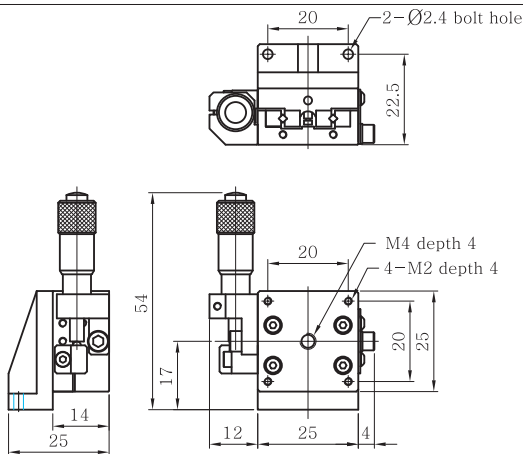


Spec

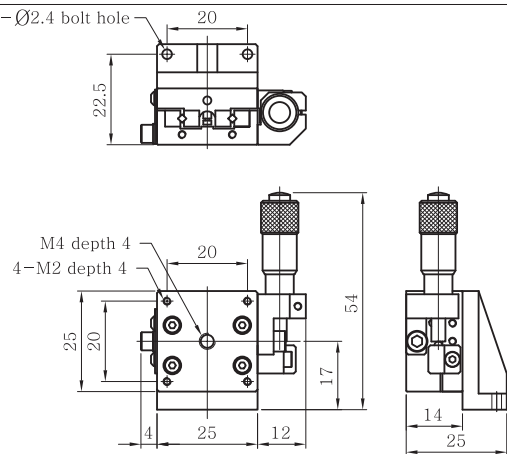
※ This drawing could be changed in order to improve the product without any notice.

Model No	S6V-25L	S6V-25R	S6V-25C
Microhead Position	Left	Right	Center
Z-Stage Type		Vertical	
Stage Surface (mm)		25×25	
Stroke (mm)		±3	
Resolution (mm)		10um / division(0.01)	
Parallelism (mm)		0.03	
Running Parallelism (mm)		0.02	
Straightness (mm)		0.003	
Travel Guide		Crossed Roller Bearing	
Material		Aluminum	
Load Capacity (kg/f)		0.5	
Weight (kg)		0.047	

S6V-25L



S6V-25R



S6V-25C

