

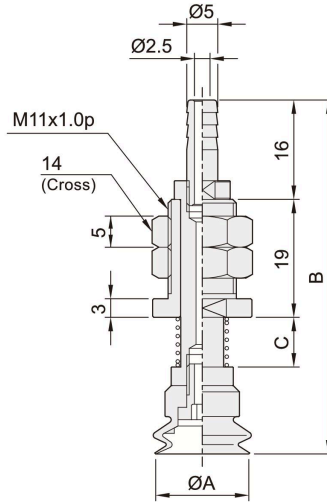


# Vacuum pad / Bellows type

External dimension - PBFS series / Side spring type

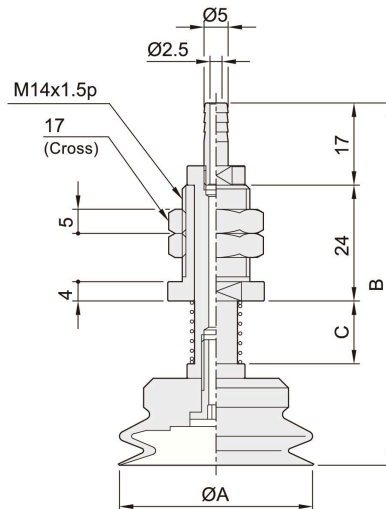
CHELIC PNEUMATIC

☉ Ø10 ~ Ø15



Pad type	Item	Pad dia. A	Stroke 4		Stroke 10		Size of PU tube	Spring elasticity length
			B	C	B	C		
Circle pad	PBFS-10	Ø10	55.5	8	67.5	20	PU tube Ø6xØ4	4 ,10
	PBFS-15	Ø15	57	8	69	20		

☉ Ø20 ~ Ø50



Pad type	Item	Pad dia. A	Stroke 6		Stroke 15		Size of PU tube	Spring elasticity length
			B	C	B	C		
Circle pad	PBFS-20	Ø20	69	13	82	30	PU tube Ø6xØ4	6 ,15
	PBFS-30	Ø30	75	13	92	30		
	PBFS-40	Ø40	75	13	92	30		
	PBFS-50	Ø50	77	13	94	30		

**PA**  
Pad /  
Standard type

**PAF**  
Pad /  
Vertical  
connection

**PAK**  
Pad /  
Vertical connection  
With fitting

**PAT**  
Pad /  
Horizontal  
connection

**PAFS**  
Pad /  
Vertical  
spring type

**PATS**  
Pad /  
Horizontal  
spring type

**PB**  
Pad /  
Bellows type

**PBF**  
Pad /  
Vertical  
connection

**PBK**  
Pad /  
Vertical connection  
With fitting

**PBT**  
Pad /  
Horizontal  
connection

**PBFS**  
Pad /  
Vertical  
spring type

**PBTS**  
Pad /  
Horizontal  
spring type