

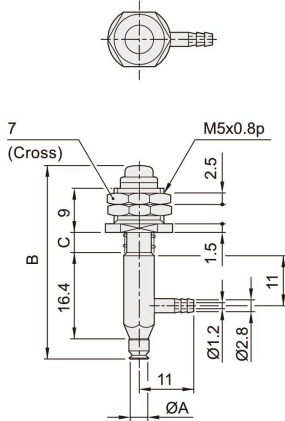


Vacuum pad

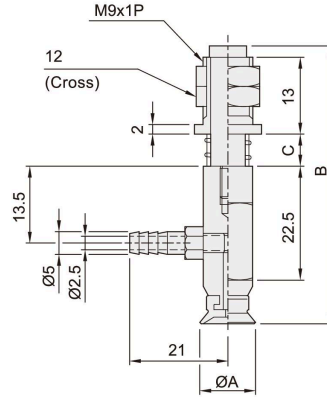
External dimension - PATS series / Side spring type

CHELIC PNEUMATIC

○ Ø2 ~ Ø3.5



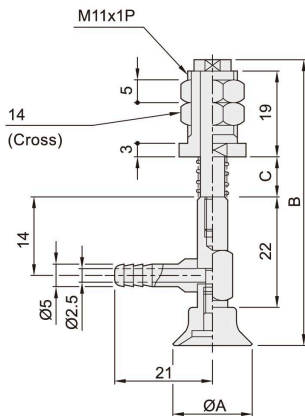
○ Ø5 ~ Ø8



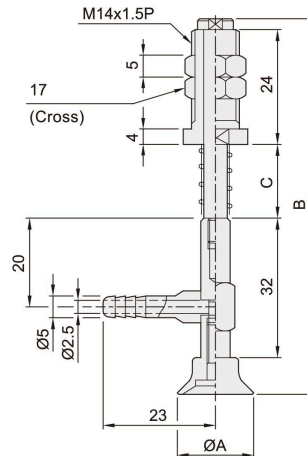
Pad type	Item	Pad dia. A	Stroke 2.5		Stroke 5		Size of PU tube Ø4xØ2.5	Spring elasticity length 2.5, 5
			B	C	B	C		
Circle pad	PATS-02	Ø2	35.7	4.5	40.5	9.5	PU tube Ø4xØ2.5	2.5, 5
	PATS-3.5	Ø3.5	35.7	4.5	40.7	9.5		
Oblong pad	PATS-2x4	2x4	37.4	4.5	42.4	9.5	PU tube Ø6xØ4	3, 10
	PATS-3.5x7	3.5x7	38.2	4.5	43.2	9.5		

Pad type	Item	Pad dia. A	Stroke 3		Stroke 10		Size of PU tube Ø6xØ4	Spring elasticity length 3, 10
			B	C	B	C		
Circle pad	PATS-05	Ø5	51	6	65	20	PU tube Ø6xØ4	3, 10
	PATS-06	Ø6	51	6	65	20		
	PATS-08	Ø8	51.5	6	65.5	20		

○ Ø10 ~ Ø15



○ Ø20 ~ Ø50



Pad type	Item	Pad dia. A	Stroke 4		Stroke 10		Size of PU tube Ø6xØ4	Spring elasticity length 4, 10
			B	C	B	C		
Circle pad	PATS-10	Ø10	60	8	72	20	PU tube Ø6xØ4	4, 10
	PATS-15	Ø15	60	8	72	20		

Pad type	Item	Pad dia. A	Stroke 6		Stroke 15		Size of PU tube Ø6xØ4	Spring elasticity length 6, 15
			B	C	B	C		
Circle pad	PATS-20	Ø20	83	13	96	30	PU tube Ø6xØ4	6, 15
	PATS-25	Ø25	87	13	104	30		
	PATS-30	Ø30	85	13	102	30		
	PATS-35	Ø35	87	13	104	30		
	PATS-40	Ø40	87	13	104	30		
	PATS-50	Ø50	88	13	105	30		