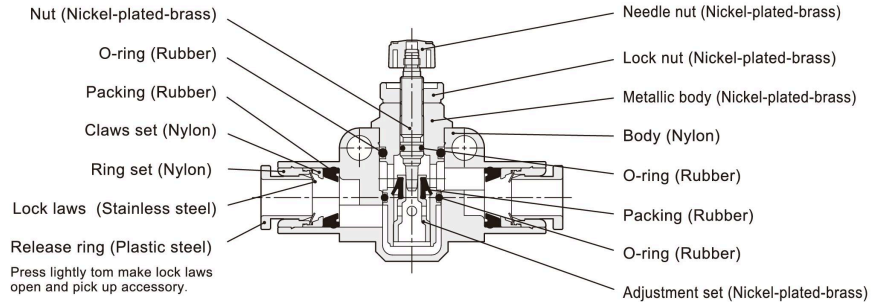


QSN series - Speed controller

Specification and Order expression

CHELIC PNEUMATIC

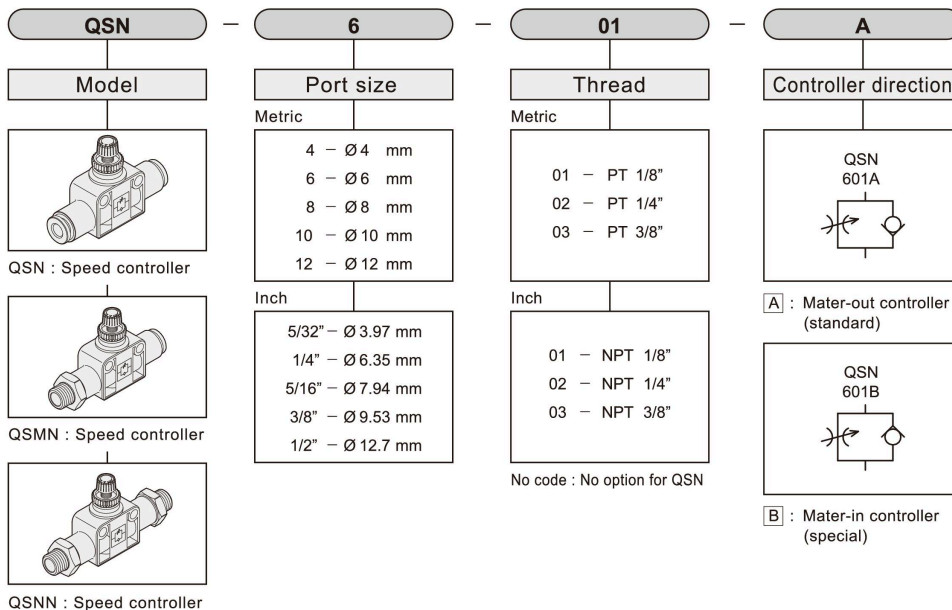
Internal structure



Specification

Item	Model	Ø4 , Ø6 , Ø8 , Ø10 , Ø12 , 5/32" , 1/4" , 5/16" , 3/8" , 1/2"
Fluid		Air
Pressure range	kgf/cm ² (kpa)	0 ~ 9 (0 ~ 900)
Maintain pressure	kgf/cm ² (kpa)	10 (1000)
Number of needle rotation		10 (8) round
Service temperature	°C	5 ~ 60
Material	Body	Nickel-plated brass
	Plastic	NYLON , PBT , PP
Connection port	Rc (PT)	1/8" , 1/4" , 3/8"
Male		With glue

How to order



SQ
Fitting

MSQ
Mini type Fitting

SP
Plug Nipple

SQ J
Nipple Fitting

SQR
Check Fitting

SQ G
Pressure Gauge Fitting

Brass Fitting

SC
Speed Controller

QS
Speed Controller

QH
Hand Valve

QV
Union Straight

QST
Panel type Speed Controller

PU
Tube