

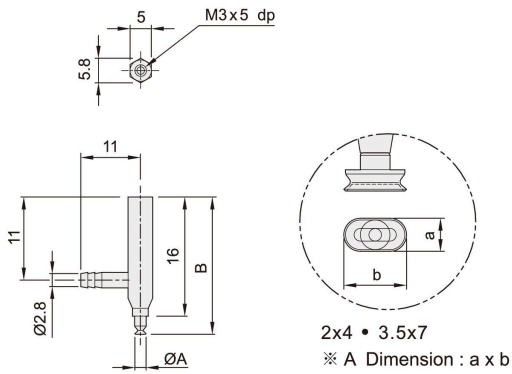


# Vacuum pad

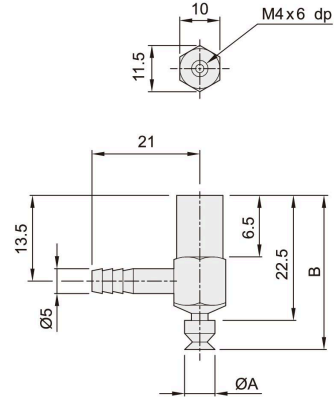
External dimension - PAT series / Side connection

CHELIC PNEUMATIC

○ Ø2 ~ Ø3.5



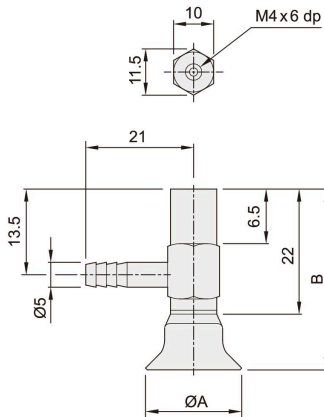
○ Ø5 ~ Ø8



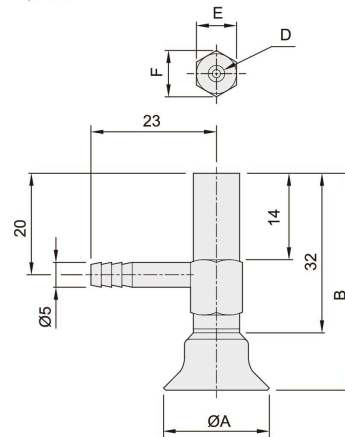
Pad type	Item	Pad dia. A	Whole length B	Size of PU tube
Circle pad	PAT-02	Ø2	20	PU tube Ø4 x Ø2.5
	PAT-3.5	Ø3.5	20	
Oblong pad	PAT-2x4	2 x 4	21	
	PAT-3.5x7	3.5 x 7	22	

Pad type	Item	Pad dia. A	Whole length B	Size of PU tube
Circle pad	PAT-05	Ø5	29	PU tube Ø6 x Ø4
	PAT-06	Ø6	29	
	PAT-08	Ø8	29.5	

○ Ø10 ~ Ø15



○ Ø20 ~ Ø50



Pad type	Item	Pad dia. A	Whole length B	Size of PU tube
Circle pad	PAT-10	Ø10	30	PU tube Ø6 x Ø4
	PAT-15	Ø15	30	

Pad type	Item	Pad dia. A	Whole length B	D	E	F	Size of PU tube
Circle pad	PAT-20	Ø20	42	M6 x 1 dp 8	14	16.5	PU tube Ø6 x Ø4
	PAT-25	Ø25	46				
	PAT-30	Ø30	44				
	PAT-35	Ø35	46				
	PAT-40	Ø40	46				
	PAT-50	Ø50	47		15	17.3	

**PA**

Pad /  
Standard type

**PAF**

Pad /  
Vertical  
connection

**PAK**

Pad /  
Vertical  
connection  
With fitting

**PAT**

Pad /  
Horizontal  
connection

**PAFS**

Pad /  
Vertical  
spring type

**PATS**

Pad /  
Horizontal  
spring type

**PB**

Pad /  
Bellows type

**PBF**

Pad /  
Vertical  
connection

**PBK**

Pad /  
Vertical  
connection  
With fitting

**PBT**

Pad /  
Horizontal  
connection

**PBFS**

Pad /  
Vertical  
spring type

**PBTS**

Pad /  
Horizontal  
spring type