

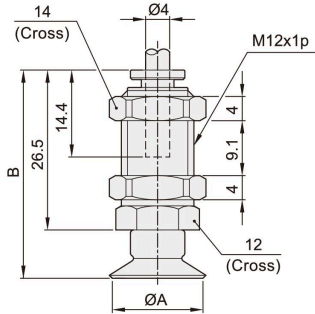


Vacuum pad

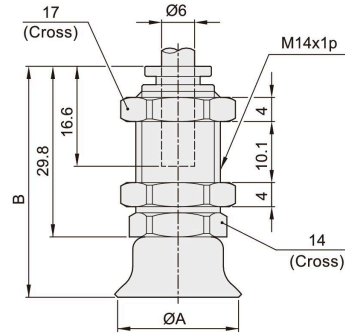
External dimension
PAK series / Vertical connection with fitting

CHELIC PNEUMATIC

▶ Ø10 ~ Ø15



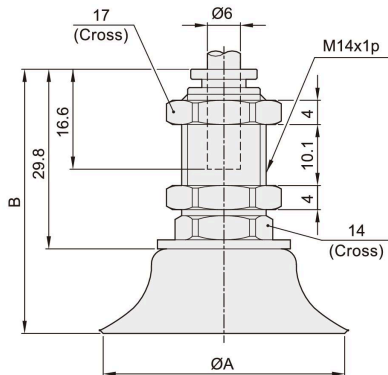
▶ Ø20 ~ Ø30



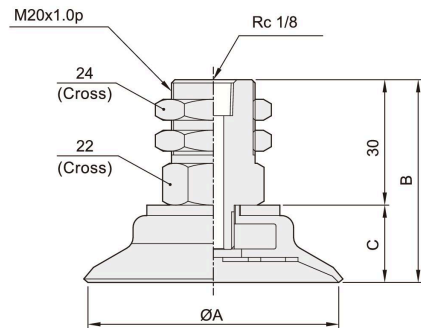
| Pad type | Item | Pad dia. A | Whole length B | Size of PU tube |
|------------|--------|------------|----------------|----------------------|
| Circle Pad | PAK-10 | Ø10 | 34 | PU tube Ø4 x Ø2.5 |
| | PAK-15 | Ø15 | 34.5 | |

| Pad type | Item | Pad dia. A | Whole length B | Size of PU tube |
|------------|--------|------------|----------------|--------------------|
| Circle Pad | PAK-20 | Ø20 | 38.3 | PU tube Ø6 x Ø4 |
| | PAK-25 | Ø25 | 42.3 | |
| | PAK-30 | Ø30 | 40.3 | |

▶ Ø40 ~ Ø50



▶ Ø60 ~ Ø80



| Pad type | Item | Pad dia. A | Whole length B | Size of PU tube |
|------------|--------|------------|----------------|--------------------|
| Circle Pad | PAK-40 | Ø40 | 43.8 | PU tube Ø6 x Ø4 |
| | PAK-50 | Ø50 | 44.8 | |

| Pad type | Item | Pad dia. A | Whole length B | C | Size of PU tube |
|------------|--------|------------|----------------|------|-----------------|
| Circle pad | PAK-60 | Ø60 | 48.5 | 18.5 | Rc 1/8" |
| | PAK-80 | Ø80 | 50.5 | 20.5 | |