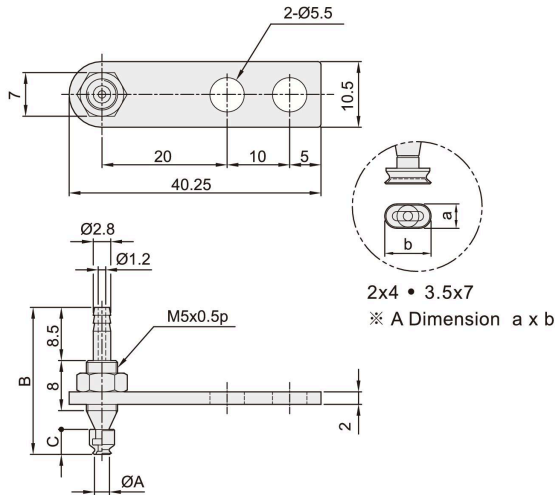


Vacuum pad

External dimension - PAF series / Vertical connection

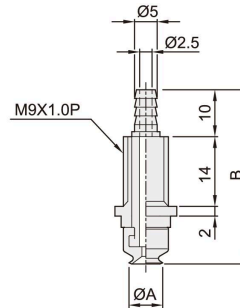
CHELIC PNEUMATIC

☉ Ø2 ~ Ø3.5



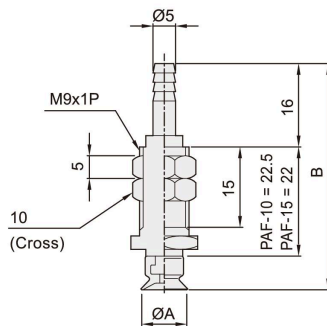
Pad type	Item	Pad dia. A	Whole length B	C	Size of PU tube
Circle Pad	PAF-02	Ø2	20.8	4	PU tube Ø4 x Ø2.5
	PAF-3.5	Ø3.5	20.9	4	
Oblong Pad	PAF-2x4	2 x 4	24.4	1.7	
	PAF-3.5x7	3.5 x 7	25.5	2.5	

☉ Ø5 ~ Ø8



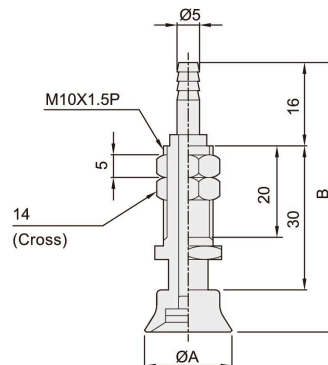
Pad type	Item	Pad dia. A	Whole length B	Size of PU tube
Circle Pad	PAF-05	Ø5	30.5	PU tube Ø6 x Ø4
	PAF-06	Ø6	31	
	PAF-08	Ø8	31	

☉ Ø10 ~ Ø15



Pad type	Item	Pad dia. A	Whole length B	Size of PU tube
Circle Pad	PAF-10	Ø10	46	PU tube Ø6 x Ø4
	PAF-15	Ø15	46	

☉ Ø20 ~ Ø50



Pad type	Item	Pad dia. A	Whole length B	Size of PU tube
Circle Pad	PAF-20	Ø20	56	PU tube Ø6 x Ø4
	PAF-25	Ø25	60	
	PAF-30	Ø30	58	
	PAF-35	Ø35	60	
	PAF-40	Ø40	60	
	PAF-50	Ø50	61	