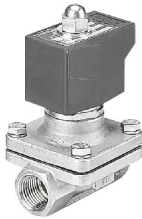


SAS series - Solenoid valve direct diaphragm type (High flow)

Operation specification and Order expression

CHELIC PNEUMATIC

How to order



SAS — 15A — 110VAC

2 ports 2 positions
solenoid valve

Dimensions:
(Please refer to
specification)

Voltage :
110 VAC
220 VAC
DC 24 V

SAS :
Direct diaphragm type
(Big flow rate)

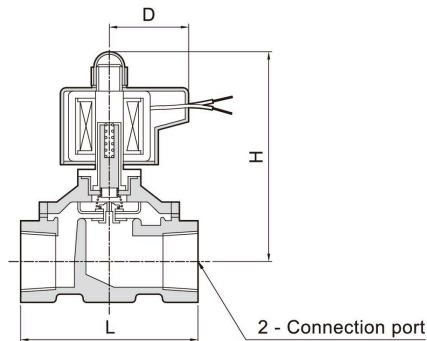
Specification

Item		Model	SAS-15A	SAS-20A	SAS-25A	SAS-35	SAS-40A	SAS-50A
Fluid		Suitable for the place of water and air						
Range of service temperature		°C	-5 °C ~ 80 °C					
Number of position ports		2 ports 2 positions solenoid valve						
Valve function		Normally close (Custom made for normally open type)						
Operating method		Direct diaphragm type (High flow)						
Connection port		Rc	1/2	3/4	1	1 ¼	1 ½	1/8
Orifice		mm ²	15	20	25	35	40	50
CV value			4.5	8.6	12	24	28	48
Pressure range (Max. range) kgf/cm ² (kpa)	Air	0 ~ 7 (0 ~ 70)						
	Water (general temperature)	0 ~ 5 (0 ~ 50)						
Material	Body	Cast the stainless steel accurately #316						
	Diaphragm	NBR 、 Viton 、 Silicon						
	Electromagnet	Stainless steel						
	Spring	Stainless steel						
Weight		Kg	0.9	1.0	1.6	3.2	3.4	5.8



Note : This product is not suitable for the liquid of high temperature, the fluid of solid while cooling and the fluid of corrosive and viscosity exceed 20CST.

External dimension



Code	Model	SAS-15A	SAS-20A	SAS-25A	SAS-35A	SAS-40A	SAS-50A
D		50			58		
H		100	102	106	140		170
L		70	73	93	125		167