

SAS series - Solenoid valve Direct operated (General)

Operation specification and Order expression

CHELIC PNEUMATIC

How to order



SAS — **6A** — **110VAC**

2 ports 2 positions
solenoid valve

SAS :
Direct operated
(General)

Dimensions:
(Please refer to
specification)

Voltage :
110 VAC
220 VAC
DC 24 V

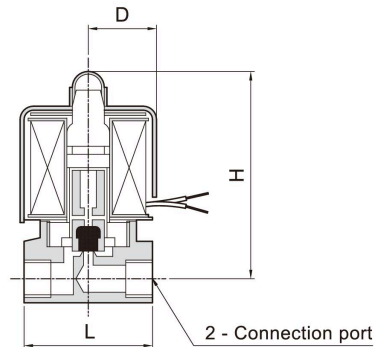
Specification

Item		Model	SAS-6A	SAS-8A	SAS-10A
Fluid			Suitable for the place of steam, the water and air.		
Range of service temperature		°C	-5 °C ~ 185 °C		
Number of position ports			2 ports 2 positions solenoid valve		
Valve function			Normally close (Custom made for normally open type)		
Operating method			Direct operated (General)		
Connection port		Rc	1/8	1/4	3/8
Orifice		mm ²	2.5	2.5	4
CV value			0.23	0.23	0.58
Pressure range (Max. range) kgf/cm ² (kpa)	Air		0 ~ 7 (0 ~ 70)		0 ~ 10 (0 ~ 100)
	Water				
	Vapor				
Material	Body		Gast the stainless steel accurately #316		
	Diaphragm		NBR、Viton、Silicon、PTFE		
	Spring		Stainless steel		
Weight		Kg	0.3	0.3	0.6



Note : This product is not suitable for the liquid of high temperature, the fluid of solid while cooling and the fluid of corrosive and viscosity exceed 50CST

External dimension



Code	Model	SAS-6A	SAS-8A	SAS-10A
D		21	21	48
H		63	63	75
L		41	41	54

SBS
Solenoid
Valve

SUD
Solenoid
Valve

SUW
Solenoid
Valve

SUS
Solenoid
Valve

SAS
Solenoid
Valve

SDC
Solenoid
Valve