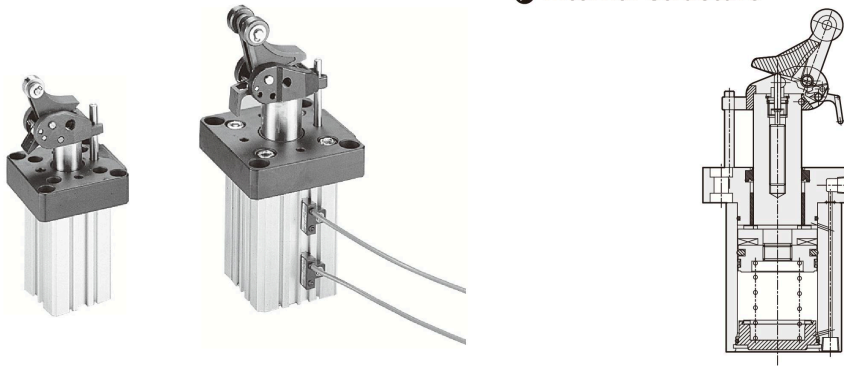


STF series - Stopper cylinder

Operating specification and Ordering expression

CHELIC PNEUMATIC

Internal structure



STB
Stopper
Cylinder

STC
Stopper
Cylinder

STD
Stopper
Cylinder

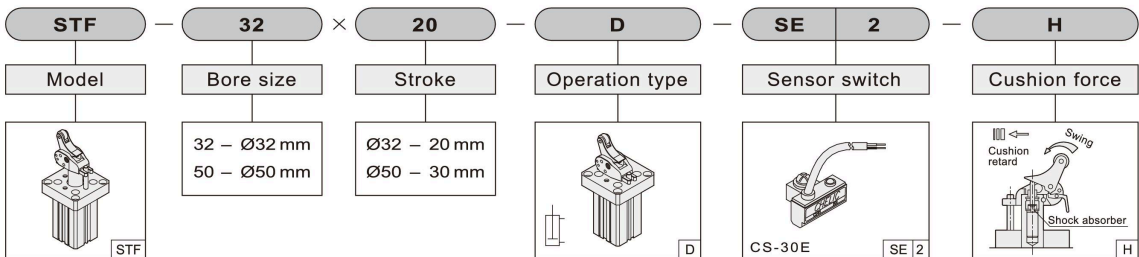
STDL
Stopper
Cylinder

STF
Stopper
Cylinder

Specification

Item	Bore size (mm)	Ø32	Ø50
Operation		Double / Single acting	
Fluid		Air	
Pressure range	kgf/cm ² (kpa)	1 ~ 8.5 (100 ~ 850)	
Operating ambient temperature range	°C	0 ~ 60	
Range of service speed	mm/sec	50 ~ 700	
Stroke	mm	20	30
Lubrication		Lubrication free	
Port size		Rc 1/8	
Sensing device		With magnet	

How to order



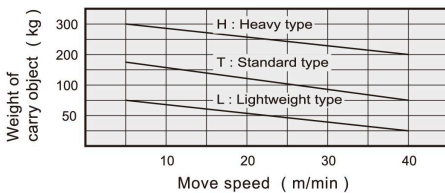
STF :
Stopper cylinder

D : Double acting

SE : Sensor switch code (CS-30E)
2 : Number of sensor switch
1 = 1 PCS
2 = 2 PCS

H : Heavy type
T : Standard type
L : Lightweight type

Select table of cushion force (STF - Ø50)



R : Single acting

SD : Sensor switch code (CS-9D)
SB : Sensor switch code (CS-9B)
2 : Number of sensor switch
1 = 1 PCS
2 = 2 PCS