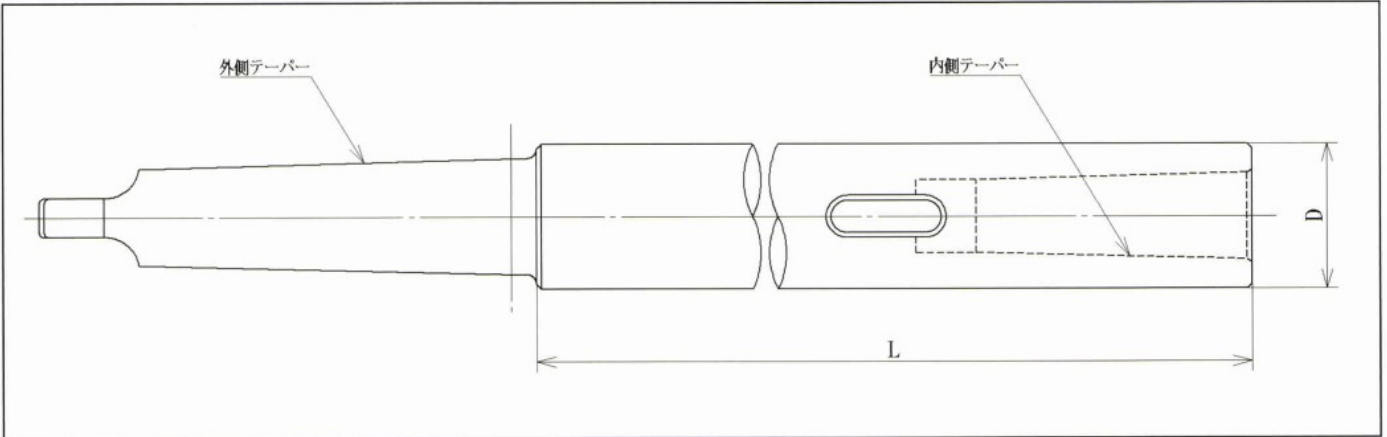


ロングドリルソケット

焼入研磨品



呼び (内側テーパ×外側テーパ×L)	内側テーパ MT	外側テーパ MT	D	L
1 × 1 × L	1	1	20	100, 150, 200, 250, 300, 400, 500
1 × 2 × L		2		150, 200, 250, 300
1 × 3 × L		3		150, 200, 300, 400
1 × 4 × L		4		150, 200, 300, 400, 500
2 × 2 × L	2	2	24	100, 150, 200, 250, 300, 400, 500
2 × 3 × L		3		150, 200, 250, 300, 400, 500
2 × 4 × L		4		200, 300
2 × 5 × L		5		200, 300
3 × 2 × L	3	2	30	150, 200, 250, 300
3 × 3 × L		3		150, 200, 250, 300, 350, 400, 500, 600
3 × 4 × L		4		200, 250, 300, 400, 500, 600
3 × 5 × L		5		200, 250, 300, 400
4 × 3 × L	4	3	40	200, 250, 300, 400
4 × 4 × L		4		200, 250, 300, 350, 400, 500, 600, 800, 1000
4 × 5 × L		5		200, 250, 300, 350, 400, 500, 600
5 × 4 × L	5	4	52	350, 400, 500
5 × 5 × L		5		200, 250, 300, 400, 500, 600, 700, 800, 1000
5 × 6 × L		6		300, 400, 500
6 × 6 × L		6		80