

# Various Wheel Conveyors

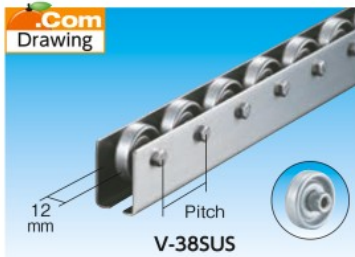
Stock 83Items

8-1293

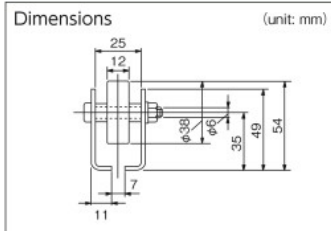
Prices displayed include 8% tax.

For Option Parts, see p. 8-1294/For Single Wheels, see p. 8-1296

TRUSCO **Stock 38,650 Items** Wheel Conveyor (wheel diameter 38mm) **Made to Order**



- Features** • Because it is made of full stainless steel, it is possible to use it in a place where wet work pieces, moisture is applied.
- Use** • For use in food, room clean related.
- Specs** • **Load Per Wheel: 20kg**  
• Wheel Width: 12mm
- Materials** • Frame: Stainless Steel (SUS304)  
• **Wheel: Stainless Steel (SUS304)**
- Origin** • Japan

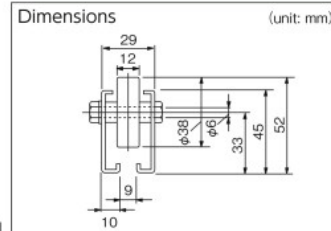


TRUSCO NAKAYAMA CORPORATION

TRUSCO **Stock 38,650 Items** Wheel Conveyor (wheel diameter 38mm) **Made to Order**



- Features** • By using an aluminum wheel, it achieves weight reduction while securing its durability.
- Use** • It is suitable for carrying around and conveying items which you don't want to scratch.
- Specs** • **Load Per Wheel: 20kg**  
• Wheel Width: 12mm  
• Mounting Bolt: With carriage M8 x 20L 2 sets
- Materials** • Frame: Steel  
• **Wheel: Aluminum**
- Origin** • Japan



TRUSCO NAKAYAMA CORPORATION

Order Unit: 1 Piece | Factory direct | No freight charge | Excluding remote islands |

Order Code	Item No.	Price (per piece)	MSRP (per piece)	Pitch (mm)	Conveyor Length (mm)	SPQ (piece)	Weight (kg)
★461-2469	V-38SUS-50-1800	¥35,547	¥38,400	50	1800	1	4.6
★461-2477	V-38SUS-50-2000	¥39,287	¥42,440	50	2000	1	5.1
★461-2485	V-38SUS-50-2400	¥46,656	¥50,400	50	2400	1	6.1
★461-2493	V-38SUS-50-3000	¥57,672	¥62,300	50	3000	1	7.7
★461-2507	V-38SUS-75-1800	¥27,957	¥30,200	75	1800	1	4.0
★461-2515	V-38SUS-75-2000	¥30,363	¥32,800	75	2000	1	4.5
★461-2523	V-38SUS-75-2400	¥37,584	¥40,600	75	2400	1	5.4
★461-2531	V-38SUS-75-3000	¥46,286	¥50,000	75	3000	1	6.7
★461-2426	V-38SUS-100-1800	¥24,161	¥26,100	100	1800	1	3.8
★461-2434	V-38SUS-100-2000	¥26,290	¥28,400	100	2000	1	4.2
★461-2442	V-38SUS-100-2400	¥31,382	¥33,900	100	2400	1	5.0
★461-2451	V-38SUS-100-3000	¥39,065	¥42,200	100	3000	1	6.3

Contact us: 0120-509-849 <http://www.orange-book.com/>

Order Unit: 1 Piece | Factory direct | No freight charge | Excluding remote islands |

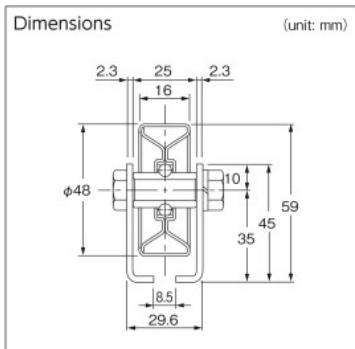
Order Code	Item No.	Price (per piece)	MSRP (per piece)	Pitch (mm)	Conveyor Length (mm)	SPQ (piece)	Weight (kg)
★461-2311	V-38AL-50-1800	¥9,878	¥10,670	50	1800	1	4.0
★461-2329	V-38AL-50-2000	¥11,118	¥12,010	50	2000	1	4.5
★461-2337	V-38AL-50-2400	¥12,756	¥13,780	50	2400	1	5.4
★461-2345	V-38AL-50-3000	¥16,145	¥17,440	50	3000	1	6.7
★461-2353	V-38AL-75-1800	¥7,628	¥8,240	75	1800	1	3.6
★461-2361	V-38AL-75-2000	¥8,563	¥9,250	75	2000	1	4.0
★461-2370	V-38AL-75-2400	¥10,099	¥10,910	75	2400	1	4.8
★461-2388	V-38AL-75-3000	¥12,534	¥13,540	75	3000	1	6.0
★461-2272	V-38AL-100-1800	¥6,555	¥7,080	100	1800	1	3.4
★461-2281	V-38AL-100-2000	¥7,230	¥7,810	100	2000	1	3.7
★461-2299	V-38AL-100-2400	¥8,582	¥9,270	100	2400	1	4.5
★461-2302	V-38AL-100-3000	¥10,729	¥11,590	100	3000	1	5.6

Contact us: 0120-509-849 <http://www.orange-book.com/>

MISUZU **Wheel Conveyor (wheel diameter 48mm)** **Made to Order** **RoHS**



- Features** • It is one of the lighter products among the wheel conveyors and the wheels rotate lightly so it is suitable for conveying light load.
- Use** • For light load. Conveying empty cardboard cases.
- Specs** • **Load per wheel: 15kg**  
• Wheel width: 16mm
- Materials** • Frame: Steel  
• **Wheel: Aluminum**
- Origin** • Japan



MISUZU KOKI Co.Ltd.

Order Unit: 1 Piece | Factory direct | No freight charge | Excluding remote islands |

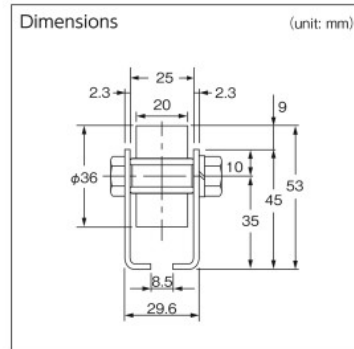
Order Code	Item No.	Price (per piece)	MSRP (per piece)	Pitch (mm)	Conveyor Length (mm)	SPQ (piece)	Weight (kg)
★465-8841	MWA48T-0718	¥8,613	¥11,600	75	1800	1	4.9
★465-8850	MWA48T-0724	¥10,767	¥14,500	75	2400	1	6.2
★465-8868	MWA48T-1018	¥7,500	¥10,100	100	1800	1	4.5
★465-8876	MWA48T-1024	¥9,207	¥12,400	100	2400	1	5.7

Contact us: 059-397-3220 <http://www.misuzukoki.jp/>

MISUZU **Wheel Conveyor (wheel diameter 36mm)** **Made to Order** **RoHS**



- Features** • It has a structure with low friction coefficient. It has a wide wheel width, therefore they are ideal for conveying cardboard cases without damaging the bottom.
- Use** • Conveying cardboard cases.
- Specs** • **Load per wheel: 15kg**  
• Wheel width: 20mm
- Materials** • Frame: Steel  
• **Wheel: Acetal resin**
- Origin** • Japan



MISUZU KOKI Co.Ltd.

Order Unit: 1 Piece | Factory direct | No freight charge | Excluding remote islands |

Order Code	Item No.	Price (per piece)	MSRP (per piece)	Pitch (mm)	Conveyor Length (mm)	SPQ (piece)	Weight (kg)
★465-9015	MWR36T-0518	¥15,296	¥20,600	50	1800	1	6.0
★465-9023	MWR36T-0524	¥19,602	¥26,400	50	2400	1	8.4
★465-9031	MWR36T-0718	¥11,583	¥15,600	75	1800	1	4.4
★465-9040	MWR36T-0724	¥14,628	¥19,700	75	2400	1	5.8
★465-9058	MWR36T-1018	¥9,579	¥12,900	100	1800	1	4.1
★465-9066	MWR36T-1024	¥12,029	¥16,200	100	2400	1	5.2

Contact us: 059-397-3220 <http://www.misuzukoki.jp/>

Conveyors

Steel Roller Conveyors

Stainless Steel Roller Conveyors

Aluminum Roller Conveyors

Resin Roller Conveyors

Extension Roller Conveyors

Wheels Conveyors

Ball Casters Units

Upward Ball Casters

Downward Ball Casters

Upward/Downward Combined Use Ball Casters

Cleanroom Type Ball Casters

Ball Casters for Special Purpose

Motor Pulleys, Motor Rollers

Belt Conveyors

Mini Belt Conveyors

Belts