

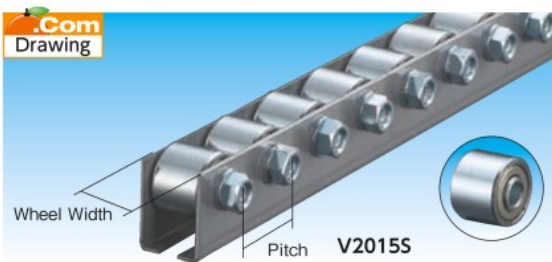
Steel Wheel Conveyors

For Single Wheels, see p. 8-1296 to 1297

The number next to the logo mark indicates items in stock for each brand.

TRUSCO **Stock 38,650 Items**

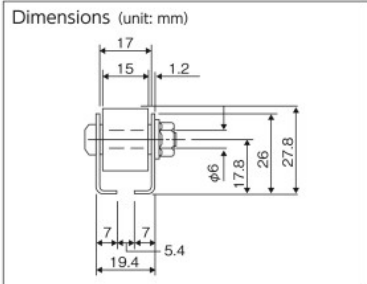
Wheel Conveyor (wheel diameter 20mm)



- Features**
- It uses precut wheels so it has high load bearing capacity. It is ideal for conveying objects of large loads such as machine parts.
 - It has wheels with small diameters so it can even convey small workpieces smoothly.
 - The compact size makes it ideal for installing racks.
- Use**
- For conveying parts between processes. For conveying items with unusual shape.
- Specs**
- **Wheel: Precut**
 - **Load per wheel: 30kg**
- Materials**
- Frame: Hot dip zinc-plated steel plate
 - Wheel: Steel
- Origin**
- Japan

Precutting is to form machine parts from raw materials

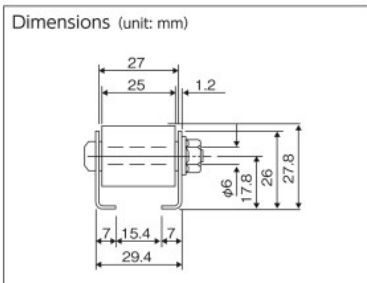
Wheel width 15mm



Order Unit: 1 Piece | Factory direct | No freight charge | Excluding remote islands | TRUSCO NAKAYAMA CORPORATION

| Order Code | Item No. | Price (per piece) | MSRP (per piece) | Pitch (mm) | Conveyor Length (mm) | SPQ (piece) | Weight (kg) |
|------------|----------------|-------------------|------------------|------------|----------------------|-------------|-------------|
| ★461-1519 | V20155-25-1000 | ¥17,690 | ¥19,110 | 25 | 1000 | 1 | 1.91 |
| ★461-1527 | V20155-25-1500 | ¥25,892 | ¥27,970 | 25 | 1500 | 1 | 2.86 |
| ★461-1535 | V20155-25-2000 | ¥34,372 | ¥37,130 | 25 | 2000 | 1 | 3.82 |
| ★461-1543 | V20155-30-1000 | ¥14,969 | ¥16,170 | 30 | 1000 | 1 | 1.71 |
| ★461-1551 | V20155-30-1500 | ¥22,245 | ¥24,030 | 30 | 1500 | 1 | 2.56 |
| ★461-1560 | V20155-30-2000 | ¥29,429 | ¥31,790 | 30 | 2000 | 1 | 3.42 |
| ★461-1578 | V20155-35-1000 | ¥13,349 | ¥14,420 | 35 | 1000 | 1 | 1.57 |
| ★461-1586 | V20155-35-1500 | ¥19,412 | ¥20,970 | 35 | 1500 | 1 | 2.35 |
| ★461-1594 | V20155-35-2000 | ¥25,485 | ¥27,530 | 35 | 2000 | 1 | 3.14 |

Wheel width 25mm



Order Unit: 1 Piece | Factory direct | No freight charge | Excluding remote islands | TRUSCO NAKAYAMA CORPORATION

| Order Code | Item No. | Price (per piece) | MSRP (per piece) | Pitch (mm) | Conveyor Length (mm) | SPQ (piece) | Weight (kg) |
|------------|----------------|-------------------|------------------|------------|----------------------|-------------|-------------|
| ★461-1713 | V20255-25-1000 | ¥17,903 | ¥19,340 | 25 | 1000 | 1 | 2.47 |
| ★461-1721 | V20255-25-1500 | ¥26,493 | ¥28,620 | 25 | 1500 | 1 | 3.70 |
| ★461-1730 | V20255-25-2000 | ¥34,982 | ¥37,790 | 25 | 2000 | 1 | 4.94 |
| ★461-1748 | V20255-30-1000 | ¥15,274 | ¥16,500 | 30 | 1000 | 1 | 2.18 |
| ★461-1756 | V20255-30-1500 | ¥22,550 | ¥24,360 | 30 | 1500 | 1 | 3.27 |
| ★461-1764 | V20255-30-2000 | ¥29,928 | ¥32,330 | 30 | 2000 | 1 | 4.36 |
| ★461-1772 | V20255-35-1000 | ¥13,553 | ¥14,640 | 35 | 1000 | 1 | 1.96 |
| ★461-1781 | V20255-35-1500 | ¥19,718 | ¥21,300 | 35 | 1500 | 1 | 2.94 |
| ★461-1799 | V20255-35-2000 | ¥25,892 | ¥27,970 | 35 | 2000 | 1 | 3.92 |

Contact us: 0120-509-849 <http://www.orange-book.com/>

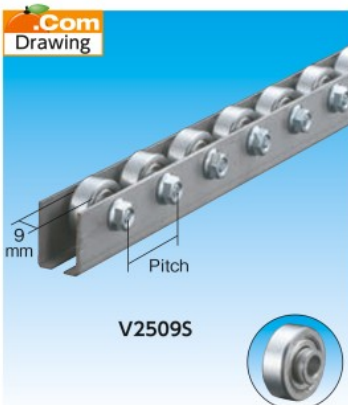
TRUSCO **Stock 38,650 Items**

Wheel Conveyor (wheel diameter 25.4mm)



TAIYO

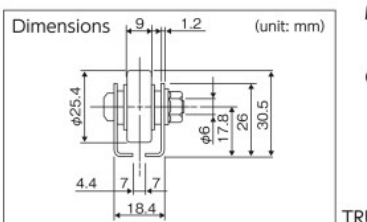
Wheel Conveyor (wheel diameter 30mm)



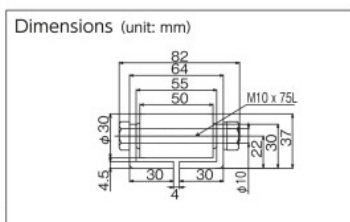
- Features**
- It uses precut wheels so it has high load bearing capacity. It is ideal for conveying objects of large loads such as machine parts.
 - It has wheels with small diameters so it can even convey small workpieces smoothly.
 - The compact size makes it ideal for installing racks.
- Use**
- For conveying parts between processes. For conveying items with unusual shape.
- Specs**
- **Wheel: Precut**
 - **Load per wheel: 30kg**
 - Wheel width: 9mm
- Materials**
- Frame: Hot dip zinc-plated steel plate
 - Wheel: Steel
- Origin**
- Japan



- Features**
- It is a highly strong type with load resistance of 160kg per wheel.
 - P35 is suitable for direct conveying of box pallets.
- Use**
- For conveying heavy load such as molds
- Specs**
- **Wheel: Precut**
 - **Load per wheel: 160kg**
 - Wheel width: 50mm
- Materials**
- Frame: Steel (SPHC)
 - Wheel: Steel
- Origin**
- Japan



TRUSCO NAKAYAMA CORPORATION



Order Unit: 1 Piece | Factory direct | No freight charge | Excluding remote islands | TAIYO KOGYO

| Order Code | Item No. | Price (per piece) | MSRP (per piece) | Pitch (mm) | Conveyor Length (mm) | SPQ (piece) | Weight (kg) |
|------------|----------------|-------------------|------------------|------------|----------------------|-------------|-------------|
| ★461-1888 | V2509S-30-1000 | ¥9,100 | ¥9,830 | 30 | 1000 | 1 | 1.88 |
| ★461-1896 | V2509S-30-1500 | ¥13,256 | ¥14,320 | 30 | 1500 | 1 | 2.82 |
| ★461-1900 | V2509S-30-2000 | ¥17,394 | ¥18,790 | 30 | 2000 | 1 | 3.76 |
| ★461-1918 | V2509S-35-1000 | ¥8,090 | ¥8,740 | 35 | 1000 | 1 | 1.76 |
| ★461-1926 | V2509S-35-1500 | ¥11,739 | ¥12,680 | 35 | 1500 | 1 | 2.57 |
| ★461-1934 | V2509S-35-2000 | ¥15,376 | ¥16,610 | 35 | 2000 | 1 | 3.42 |

Contact us: 0120-509-849 <http://www.orange-book.com/>

| Order Code | Item No. | Price (per piece) | MSRP (per piece) | Pitch (mm) | Conveyor Length (mm) | SPQ (piece) | Weight (kg) |
|------------|---------------------|-------------------|------------------|------------|----------------------|-------------|-------------|
| ★461-0954 | TW-3050KL-P35-1000L | ¥20,929 | ¥26,500 | 35 | 1000 | 1 | 9.6 |
| ★461-0962 | TW-3050KL-P35-2000L | ¥39,094 | ¥49,500 | 35 | 2000 | 1 | 19.4 |
| ★461-0971 | TW-3050KL-P35-3000L | ¥53,466 | ¥67,700 | 35 | 3000 | 1 | 29.0 |
| ★461-0989 | TW-3050KL-P50-1000L | ¥15,717 | ¥19,900 | 50 | 1000 | 1 | 7.8 |
| ★461-0997 | TW-3050KL-P50-2000L | ¥28,747 | ¥36,400 | 50 | 2000 | 1 | 15.6 |
| ★461-1004 | TW-3050KL-P50-3000L | ¥39,488 | ¥50,000 | 50 | 3000 | 1 | 23.3 |

Contact us: 052-621-2663 <http://www.taiyokogyo-kk.co.jp/>